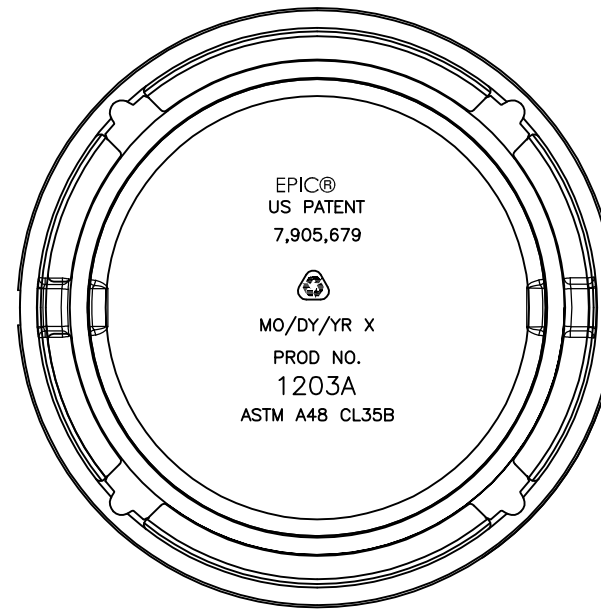
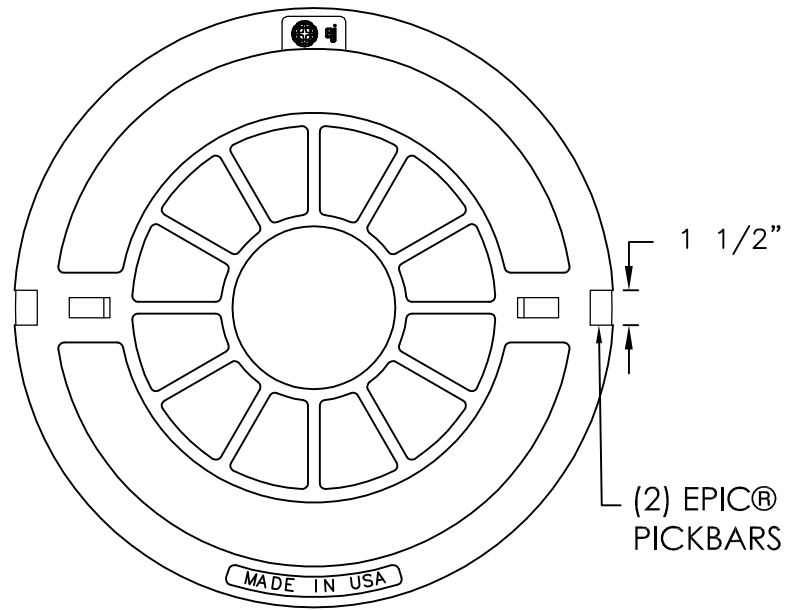


# 1203A Cover



## Product Number

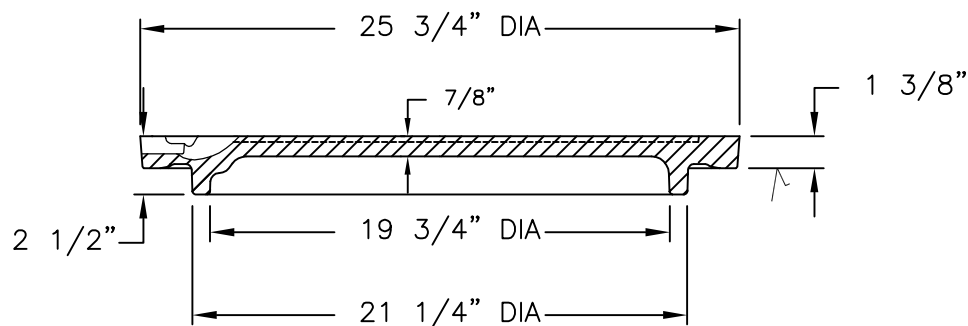
00120325

## Design Features

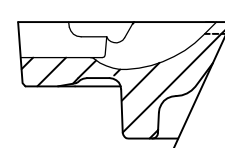
- Materials  
Gray Iron (CL35B)
- Design Load  
Heavy Duty
- Open Area  
n/a
- Coating  
Undipped
- √ Designates Machined Surface

## Certification

- ASTM A48
- HS25
- Country of Origin: USA



COVER SECTION



EPIC® DETAIL

## Drawing Revision

03/28/2003 Designer: SBB  
7/18/2017 Revised By: MAH

## Disclaimer

Weights (lbs./kg) dimensions (inches/mm) and drawings provided for your guidance. We reserve the right to modify specifications without prior notice.

CONFIDENTIAL: This drawing is the property of EJ GROUP, Inc., and embodies confidential information, registered marks, patents, trade secret information, and/or know how that is the property of EJ GROUP, Inc. Copyright © 2012 EJ GROUP, Inc. All rights reserved.

## Contact

800 626 4653  
ejco.com