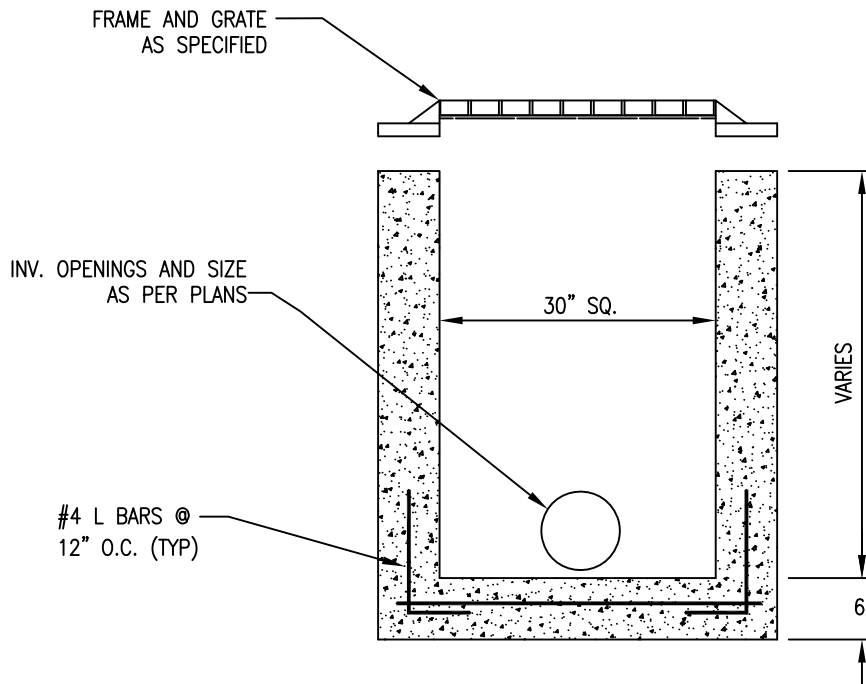
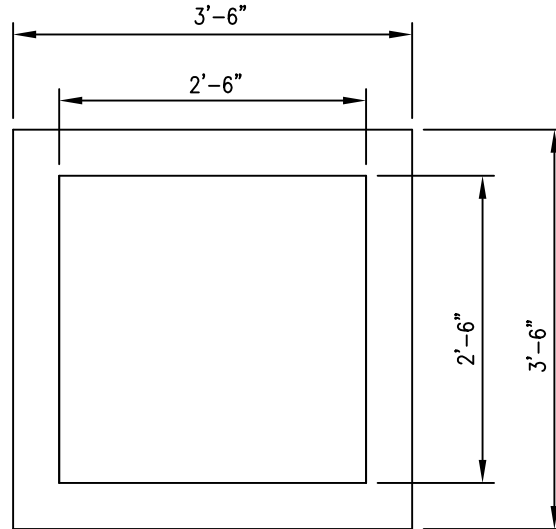


# JEFFERSON CONCRETE CORP.

22850 MURROCK CIRCLE  
WATERTOWN, NY 13601  
TEL (315)788-4171 FAX (315)788-7958  
www.jeffersonconcrete.com

30" x 30"  
CATCH BASIN



Section

GENERAL NOTES:

CONCRETE TO BE MIN. 5000 PSI @ 28 DAYS  
AIR ENTRAINED 5%-8%  
REINFORCED PER N.Y.S.D.O.T. STANDARDS SHEETS 604-5 TO 604-8 (HS-20 LOADING)  
REINFORCEMENT ASTM A615

UPDATED 03/28/10