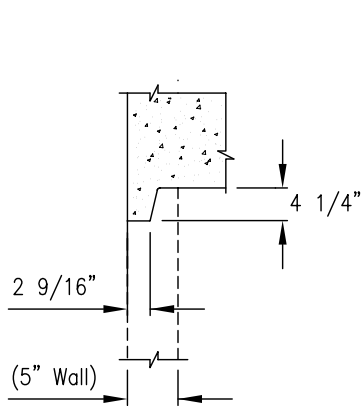


JEFFERSON CONCRETE CORP.

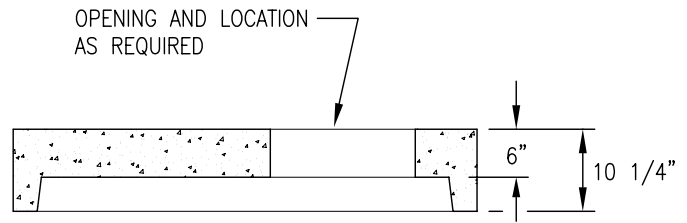
22850 MURROCK CIRCLE
WATERTOWN, NY 13601
TEL (315)788-4171 FAX (315)788-7958
www.jeffersonconcrete.com

48" MANHOLE MANHOLE COVER

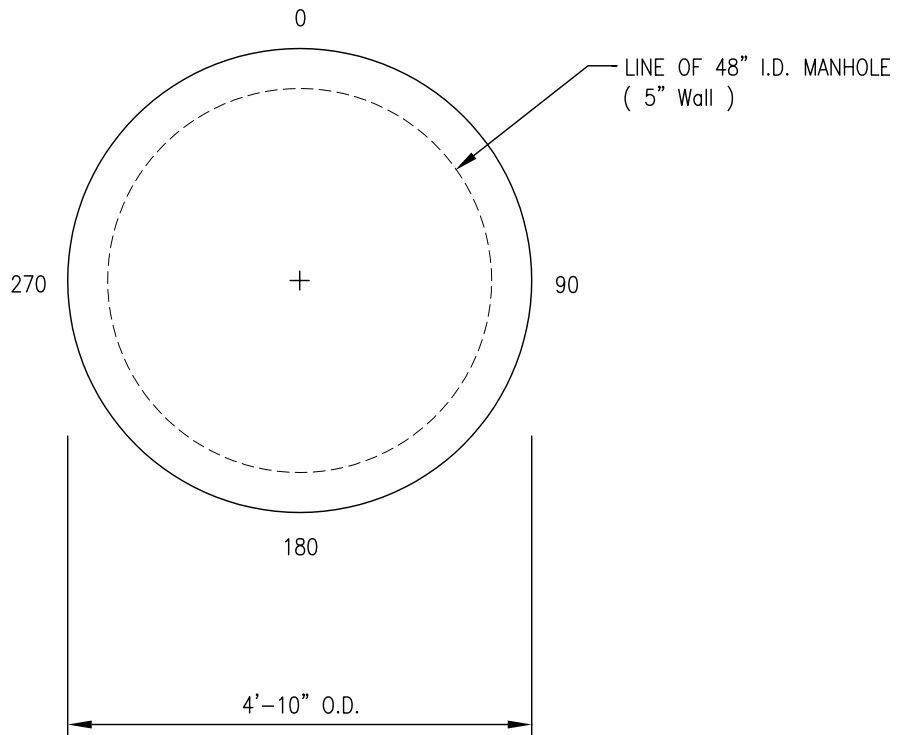


Joint Detail

NO SCALE



Flat Slab Cover



Plan

SCALE: 1/2"-1'-0"

GENERAL NOTES:

DESIGNED IN ACCORDANCE TO ASTM C478 WITH AASHTO HS 20 LOADING
JOINTS SEALED IN ACCORDANCE WITH ASTM C990
MANHOLE STEPS: ASTM C478
REINFORCEMENT TO ASTM A615, A497, GRADE 60
CONCRETE TO BE MIN. 5000 PSI @ 28 DAYS
AIR ENTRAINED 5%-8%
INVERT OPENINGS AS SPECIFIED
BASE UNITS AVAILABLE EXTENDED OR NON-EXTENDED