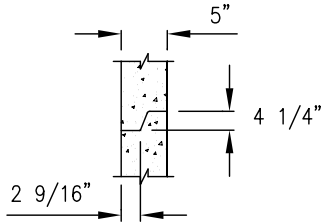


# JEFFERSON CONCRETE CORP.

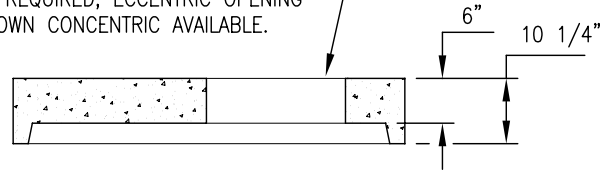
22850 MURROCK CIRCLE  
 WATERTOWN, NY 13601  
 TEL (315)788-4171 FAX (315)788-7958  
 www.jeffersonconcrete.com

## 48" BENCHED MANHOLE EXTENDED BASE

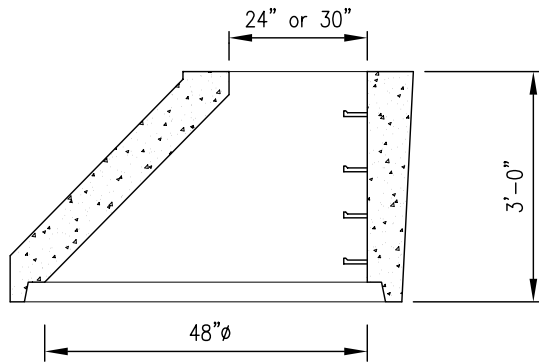


Joint Detail

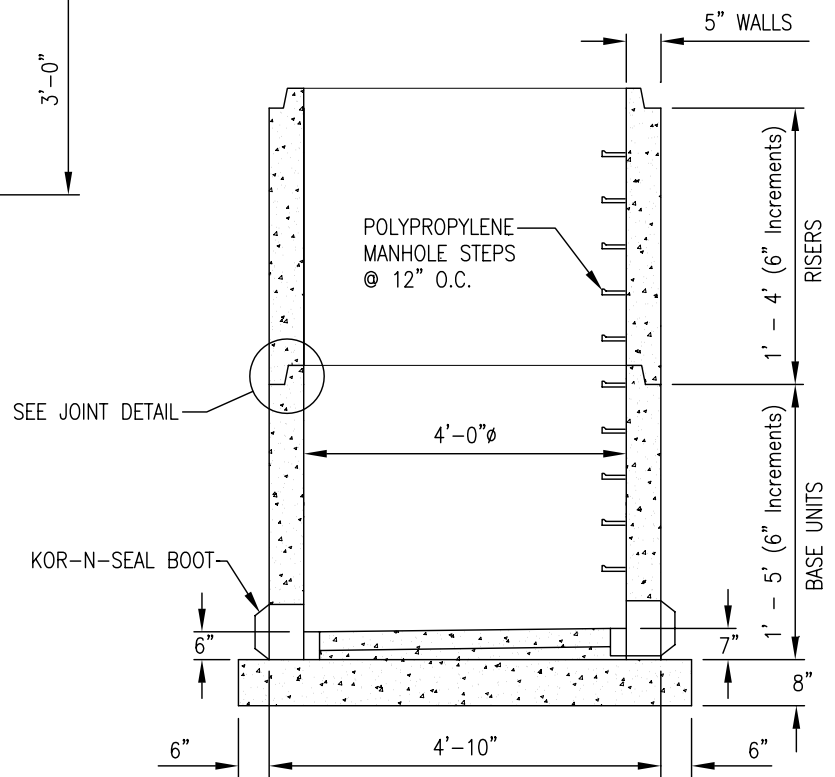
STANDARD 2'-0" DIA. OPENING OR  
 AS REQUIRED, ECCENTRIC OPENING  
 SHOWN CONCENTRIC AVAILABLE.



Flat Slab Cover



Eccentric Cone



Section

GENERAL NOTES:

DESIGNED IN ACCORDANCE TO ASTM C478 WITH AASHTO HS 20 LOADING  
 JOINTS SEALED IN ACCORDANCE WITH ASTM C990  
 MANHOLE STEPS: ASTM C478  
 REINFORCEMENT TO ASTM A615, A497, GRADE 60  
 CONCRETE TO BE MIN. 5000 PSI @ 28 DAYS  
 AIR ENTRAINED 5%-8%  
 INVERT OPENINGS AS SPECIFIED  
 BASE UNITS AVAILABLE EXTENDED OR NON-EXTENDED

UPDATED 03/16/10