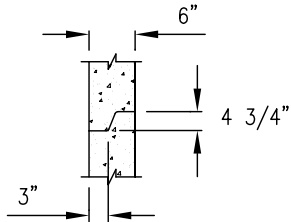


# JEFFERSON CONCRETE CORP.

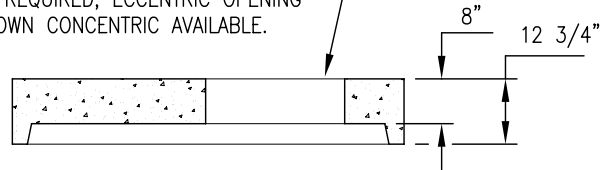
22850 MURROCK CIRCLE  
 WATERTOWN, NY 13601  
 TEL (315)788-4171 FAX (315)788-7958  
 www.jeffersonconcrete.com

## 60" MANHOLE STANDARD SHEET

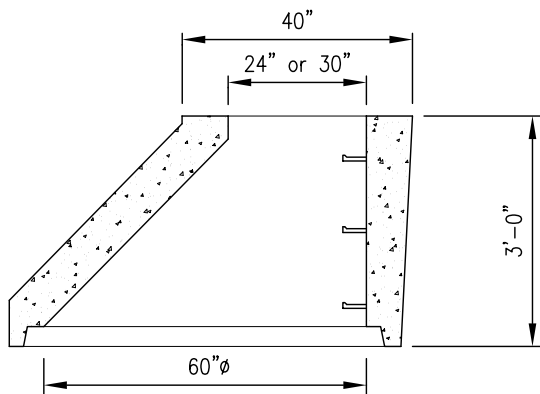


**Joint Detail**

STANDARD 2'-0" DIA. OPENING OR  
 AS REQUIRED, ECCENTRIC OPENING  
 SHOWN CONCENTRIC AVAILABLE.



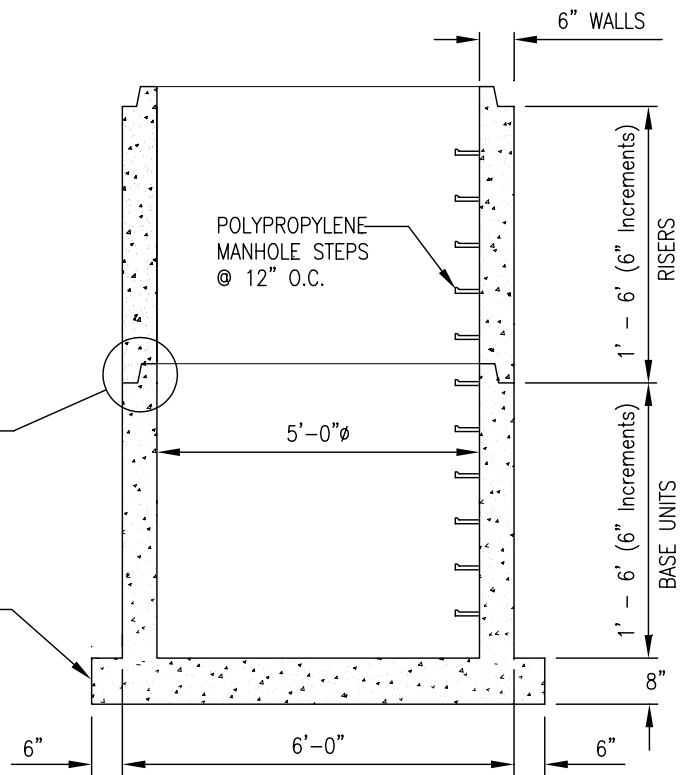
**Flat Slab Cover**



**Eccentric Cone**

SEE JOINT DETAIL

BASE UNITS ARE EITHER EXTENDED  
 OR NON-EXTENDED



**Section**

**GENERAL NOTES:**

DESIGNED IN ACCORDANCE TO ASTM C478 WITH AASHTO HS 20 LOADING  
 JOINTS SEALED IN ACCORDANCE WITH ASTM C990  
 MANHOLE STEPS: ASTM C478  
 REINFORCEMENT TO ASTM A615, A497, GRADE 60  
 CONCRETE TO BE MIN. 5000 PSI @ 28 DAYS  
 AIR ENTRAINED 5%-8%  
 INVERT OPENINGS AS SPECIFIED  
 BASE UNITS AVAILABLE EXTENDED OR NON-EXTENDED