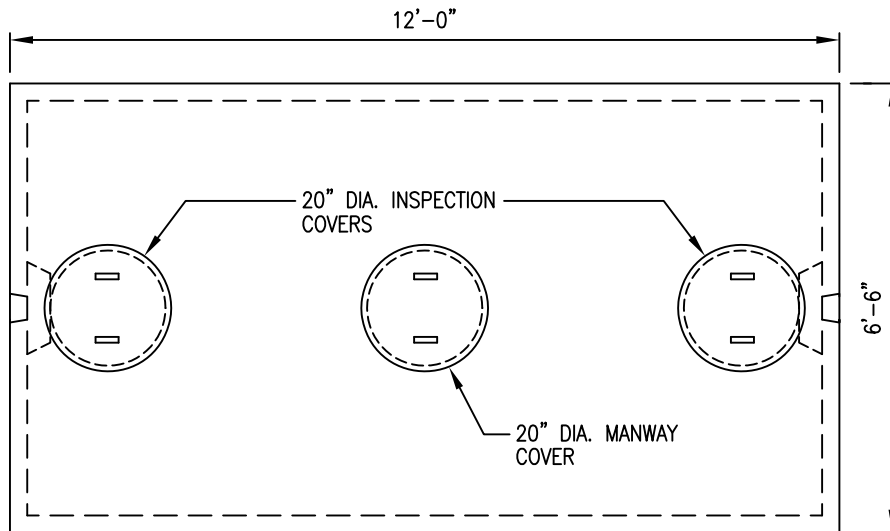


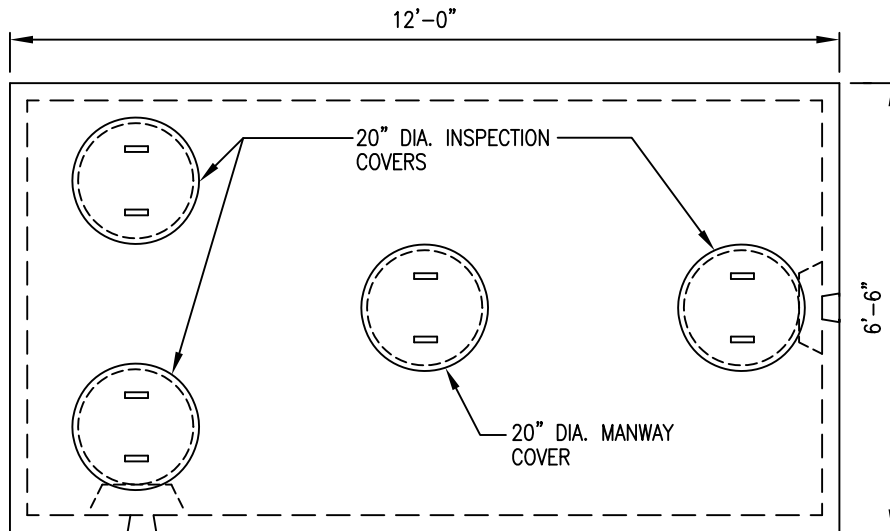
JEFFERSON CONCRETE CORP.

22850 MURROCK CIRCLE
WATERTOWN, NY 13601
TEL (315)788-4171 FAX (315)788-7958
www.jeffersonconcrete.com

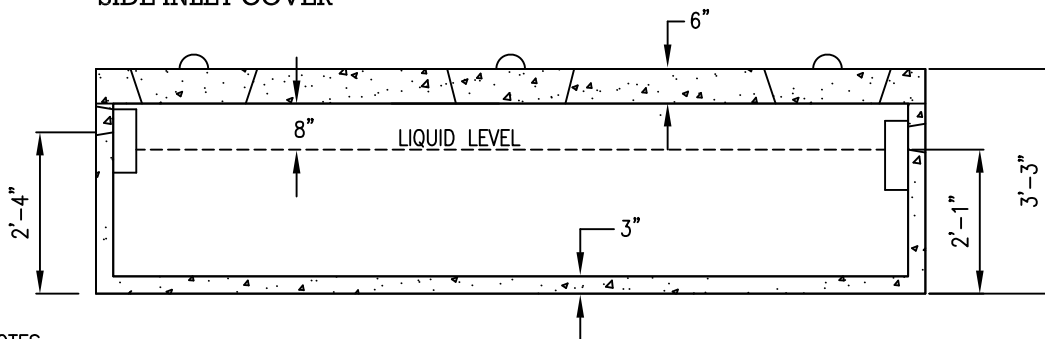
39" - 1,000 GALLON
SEPTIC TANK



STANDARD COVER



SIDE INLET COVER



GENERAL NOTES:

CONCRETE TO BE MIN. 5000 PSI @28 DAYS
ENTRAINED AIR 5%-8%
STEEL REINFORCEMENT- ASTM A-615 GRADE 60
STEEL COVER MIN. 1"
BUILT IN ACCORDANCE TO ASTM C-1227/ C-913 (300 PSF)
POLY BAFLES FASTENED TO CONC. WITH S.S. STUD ANCHORS
SIDE INLET NEED PIPE LOCATION FOR BAFFLE LOCATIONS

UPDATED 03/28/10