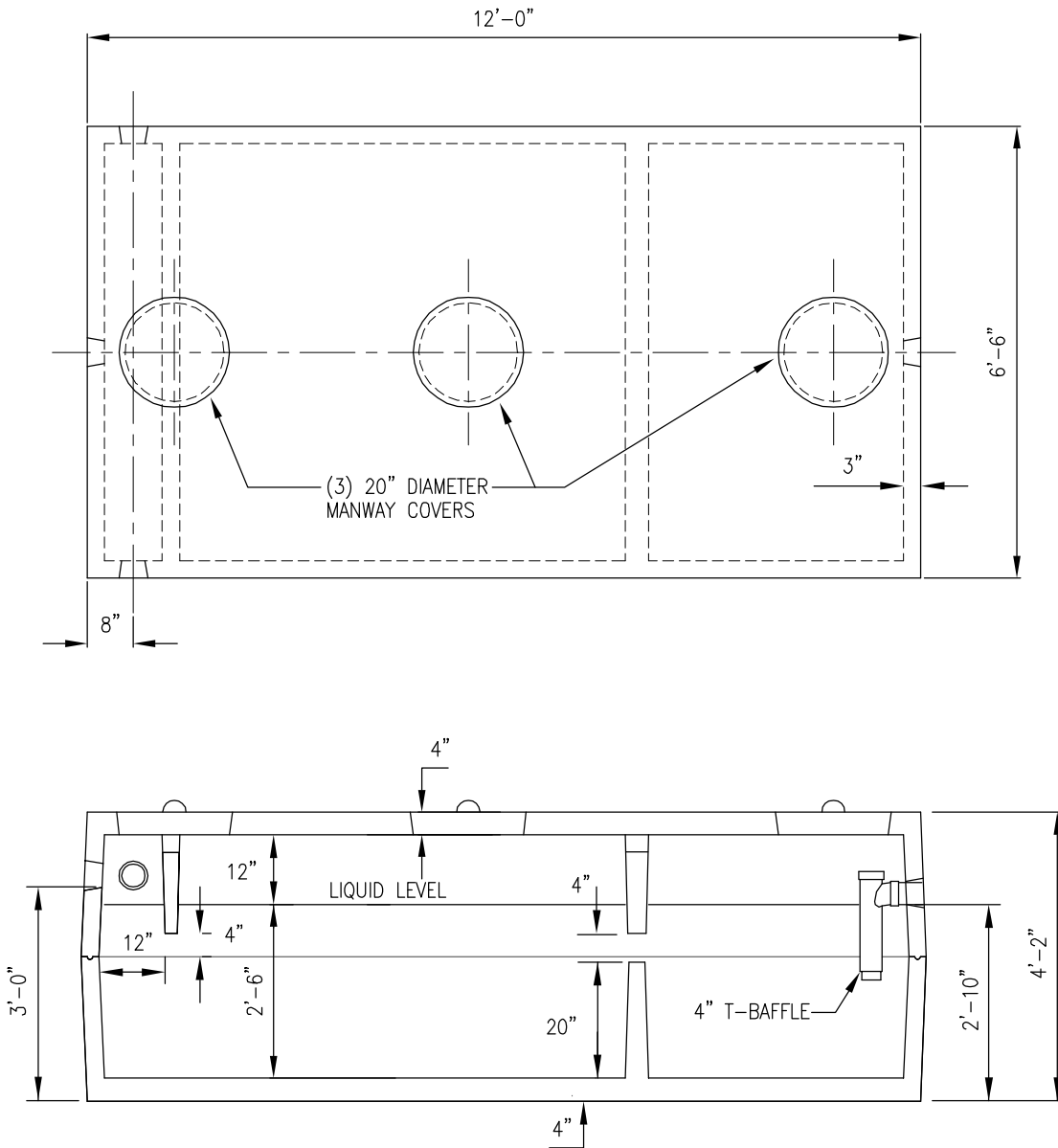


JEFFERSON CONCRETE CORP.

22850 COUNTY ROUTE 51
WATERTOWN, NY 13601
TEL (315)788-4171 FAX (315)788-7958
www.jeffersonconcrete.com

1,250 GALLON
SEPTIC TANK



GENERAL NOTES:

- CONCRETE TO BE MIN. 5000 PSI @28 DAYS
- ENTRAINED AIR 5%-8%
- STEEL REINFORCEMENT- ASTM A-615 GRADE 60
- STEEL COVER MIN. 1"
- BUILT IN ACCORDANCE TO ASTM C-1227/ C-913 (300 PSF)
- T-BAFFLE CAN BE REPLACED FOR POLYLOK EFFLUENT FILTER
- SIDE INLET NEED PIPE LOCATION FOR BAFFLE LOCATIONS

UPDATED 07/30/19