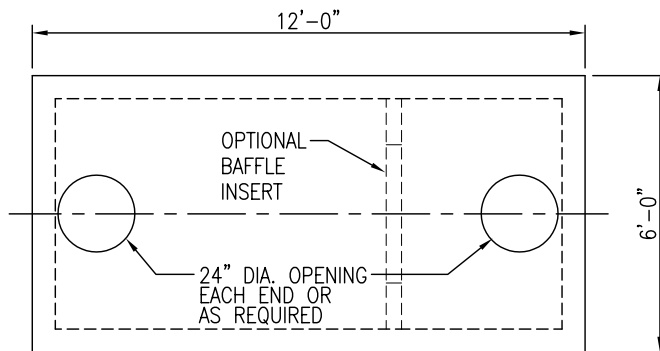


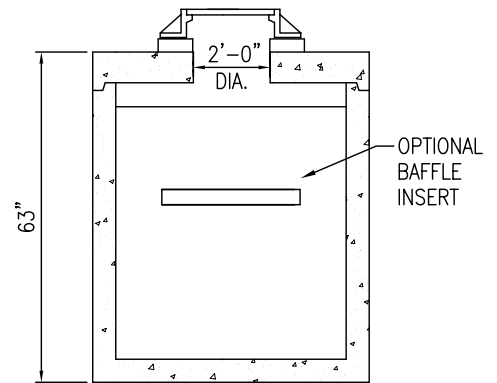
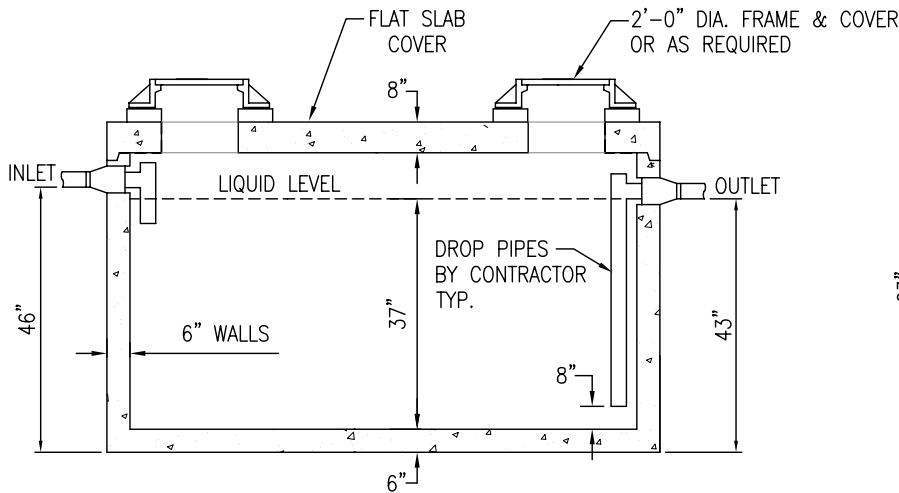
# JEFFERSON CONCRETE CORP.

22850 MURROCK CIRCLE  
 WATERTOWN, NY 13601  
 TEL (315)788-4171 FAX (315)788-7958  
 www.jeffersonconcrete.com

## 1,250 GALLON HEAVY DUTY OIL / WATER SEPARATOR



HEAVIEST PICK WEIGHT: 17,605 POUNDS



NOTE:  
 TANK IS AVAILABLE WITH  
 OR WITHOUT BAFFLE INSERT.

**GENERAL NOTES:**

- CONCRETE TO BE MIN. 5000 PSI @ 28 DAYS
- ENTRAINED AIR 5%-8%
- STEEL ASTM A497/A615 GRADE 60
- BUILT IN ACCORDANCE TO ASTM C-1227/C-913 (HS-20 LOADING)
- JOINTS SEALED IN ACCORDANCE TO ASTM C-990

UPDATED 05/23/14