

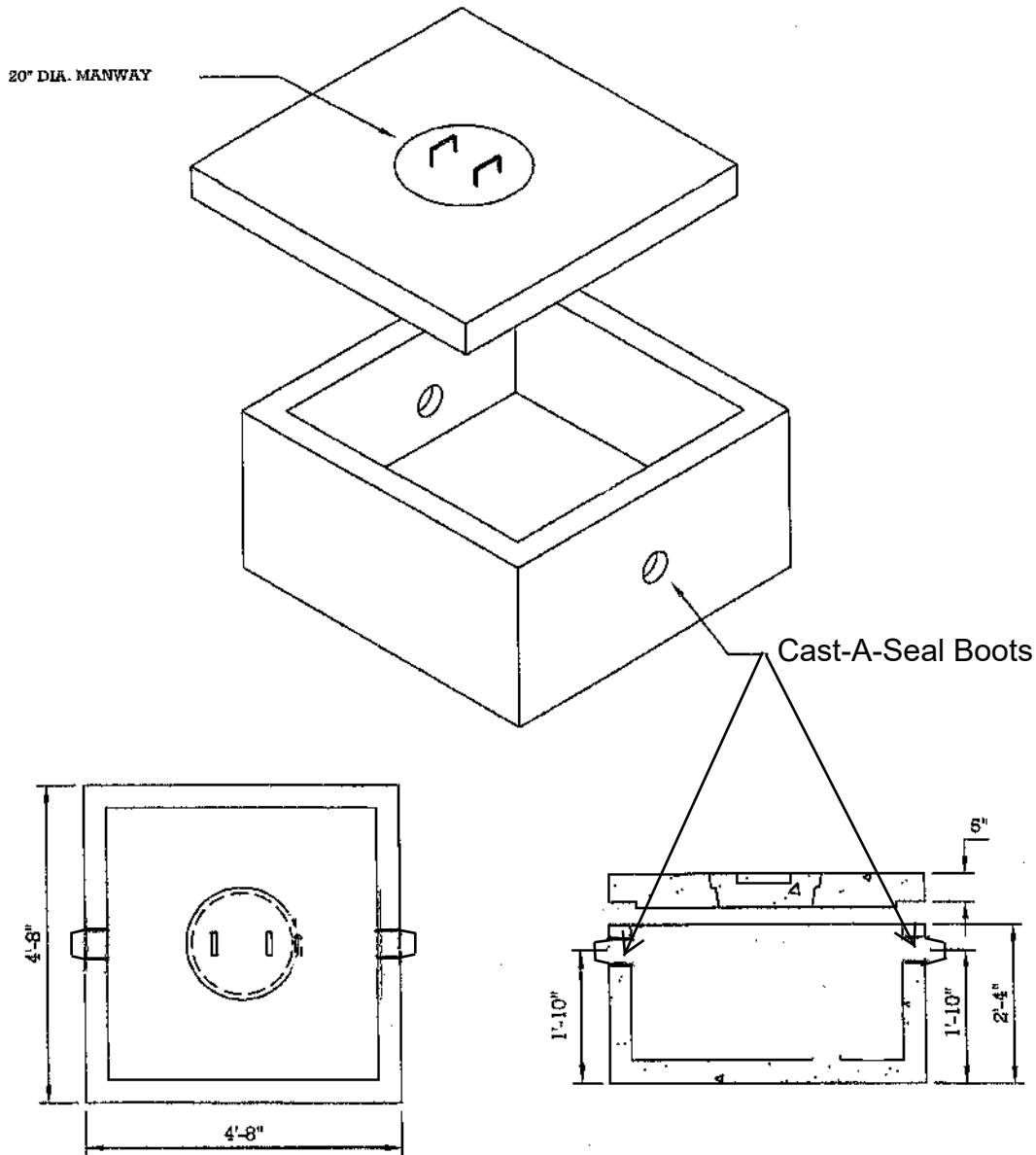
# JEFFERSON CONCRETE CORP.

22850 MURROCK CIRCLE  
WATERTOWN, NY 13601

TEL(315)788-4171 FAX(315)788-7958

## PRODUCT DESCRIPTION

14 DB PUMP CHAMBER



### NOTES:

1. CONCRETE TO BE MIN. 4000 PSI @ 28 DAYS
2. AIR ENTRAINED 5% -8%
3. REINFORCEMENT STEEL - ASTM A-615, GRADE 60
4. STEEL COVER - 1" MIN.