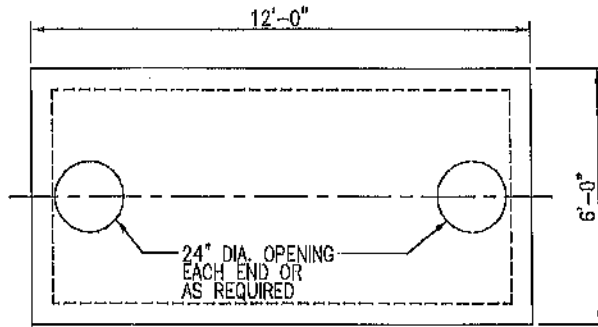


JEFFERSON CONCRETE CORP.

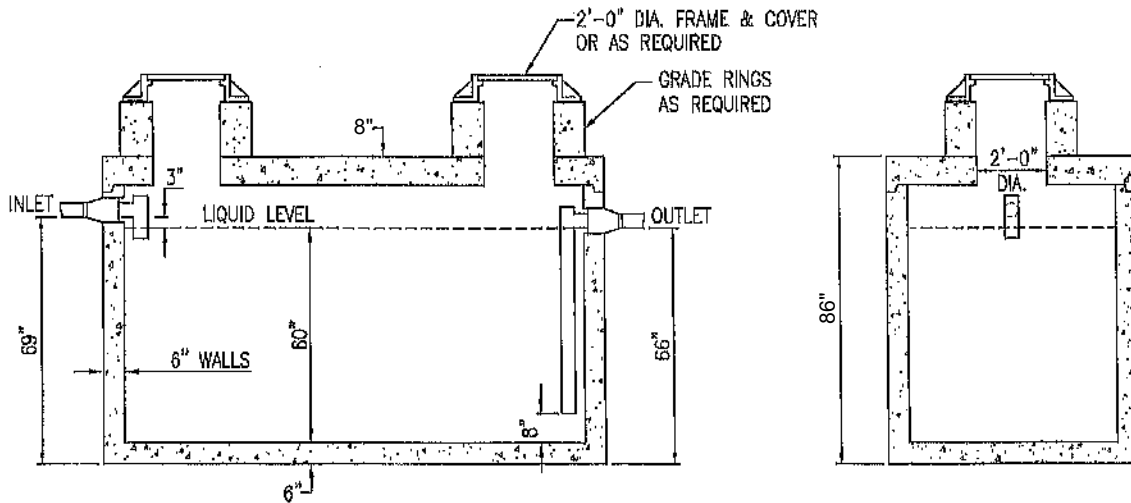
22850 MURROCK CIRCLE
WATERTOWN, NY 13601

TEL (315)788-4171 FAX (315)788-7988
www.jeffersonconcrete.com

2,000 GALLON HEAVY DUTY
OIL / WATER SEPARATOR



HEAVIEST PICK WEIGHT: 21,000 POUNDS



GENERAL NOTES:

CONCRETE TO BE MIN. 5000 PSI @ 28 DAYS
ENTRAINED AIR 5%-8%
STEEL ASTM A497/A615 GRADE 60
BUILT IN ACCORDANCE TO ASTM C-1227/C-913 (HS-20 LOADING)
JOINTS SEALED IN ACCORDANCE TO ASTM C-990
PIPING BY OTHERS

UPDATED 03/31/16