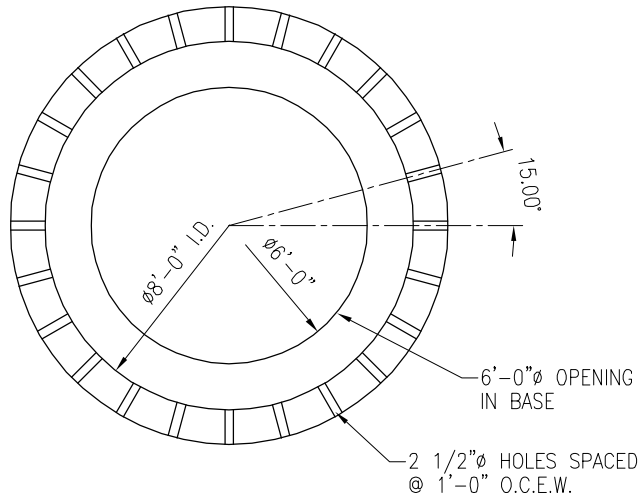


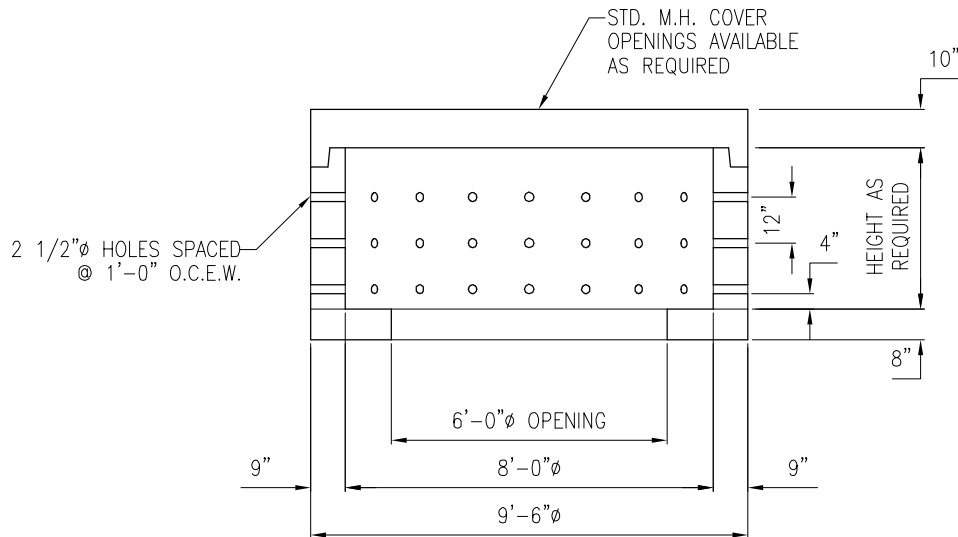
JEFFERSON CONCRETE CORP.

22850 MURROCK CIRCLE
WATERTOWN, NY 13601
TEL (315)788-4171 FAX (315)788-7958
www.jeffersonconcrete.com

96" DIA. I.D. DRYWELL



PLAN VIEW



SECTION

GENERAL NOTES:
REINFORCEMENT: ASTM A615, A497, GRADE 60