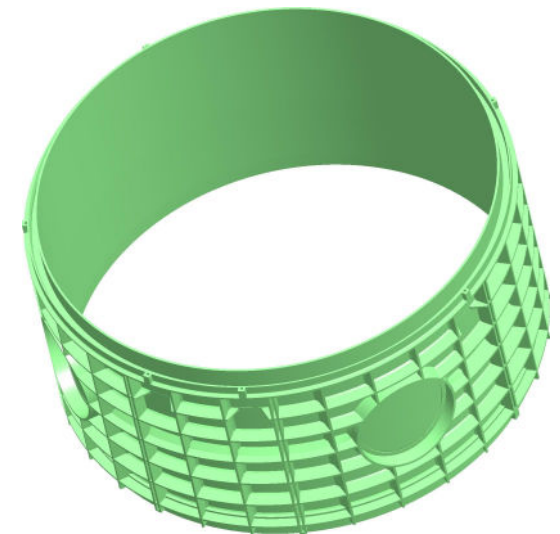
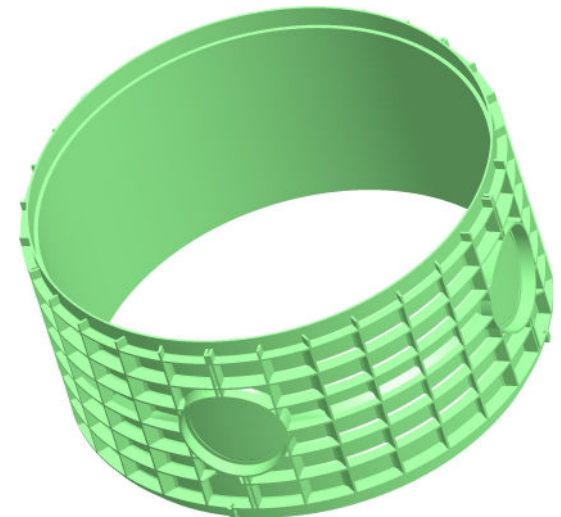
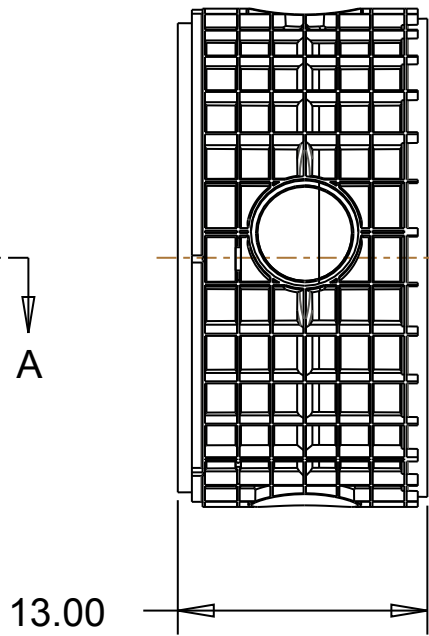
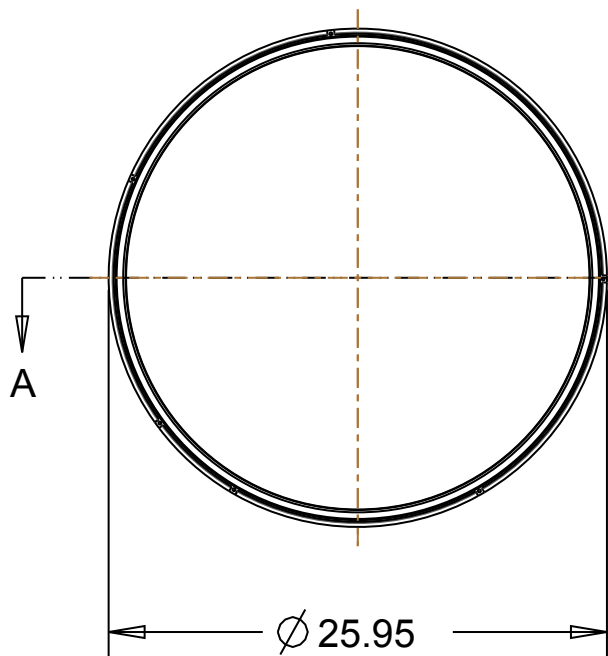


SECTION A-A



Material: Copolymer Polypropylene
Color: Green



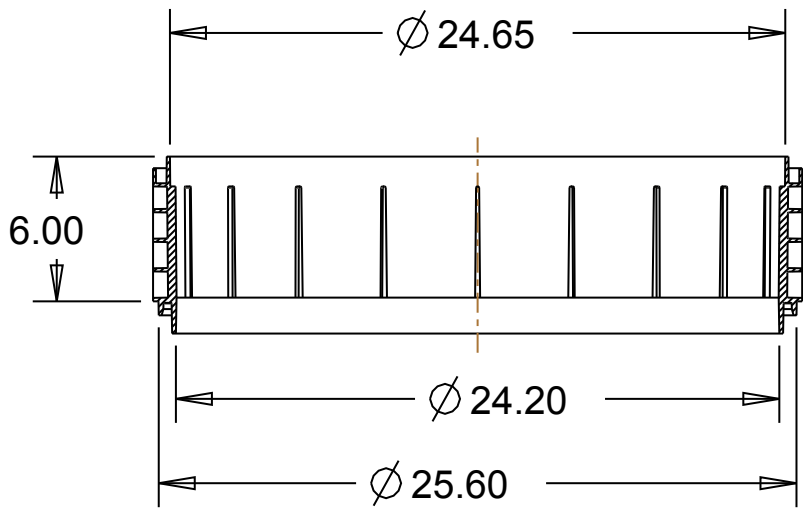
Drainage and Septic Products

Tuf-Tite, Inc.
1200 Flex Court
Lake Zurich, Illinois 60047

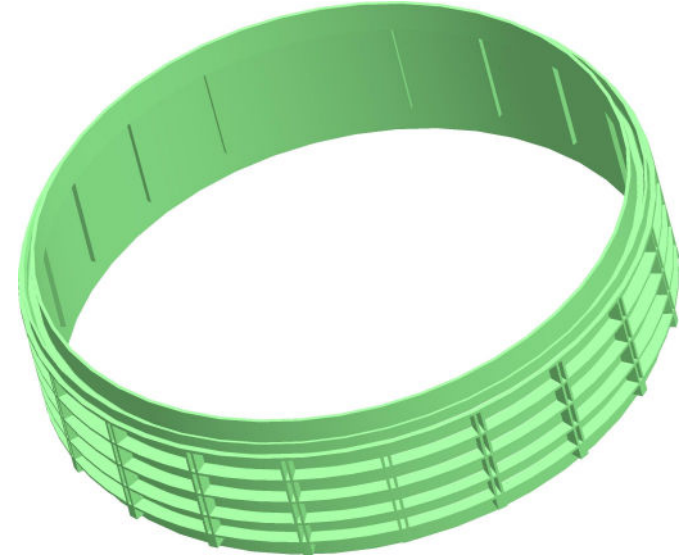
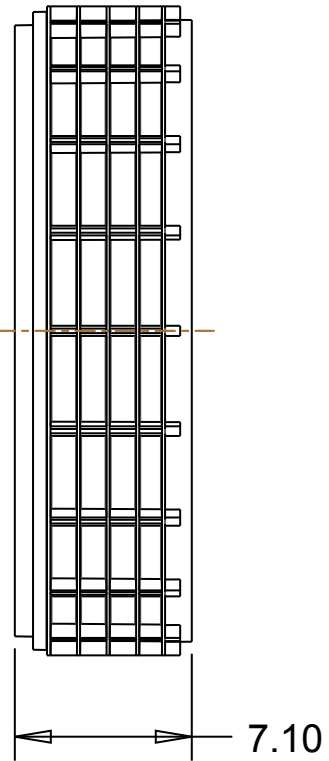
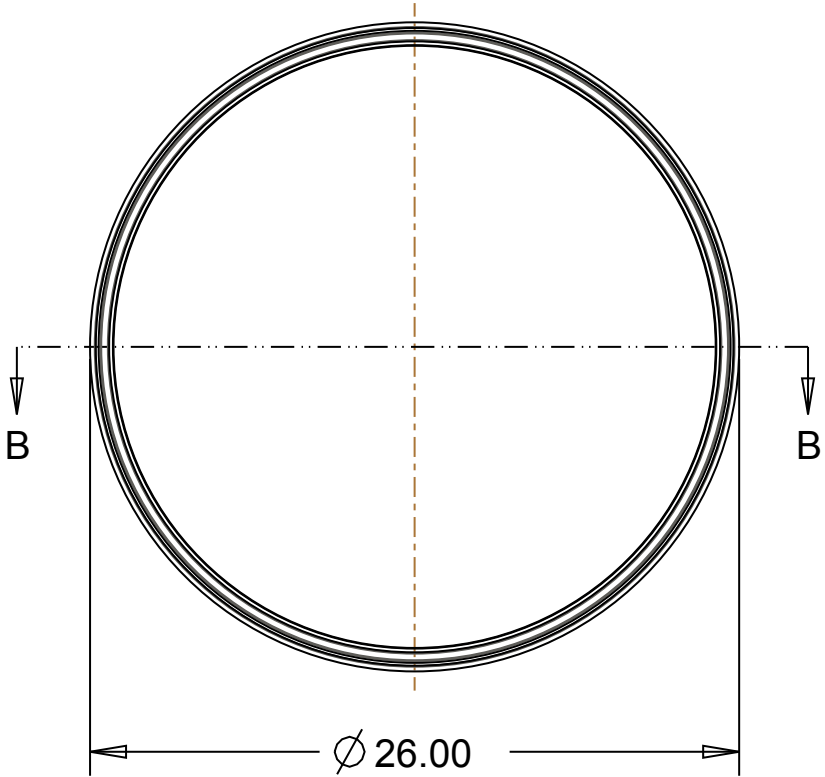
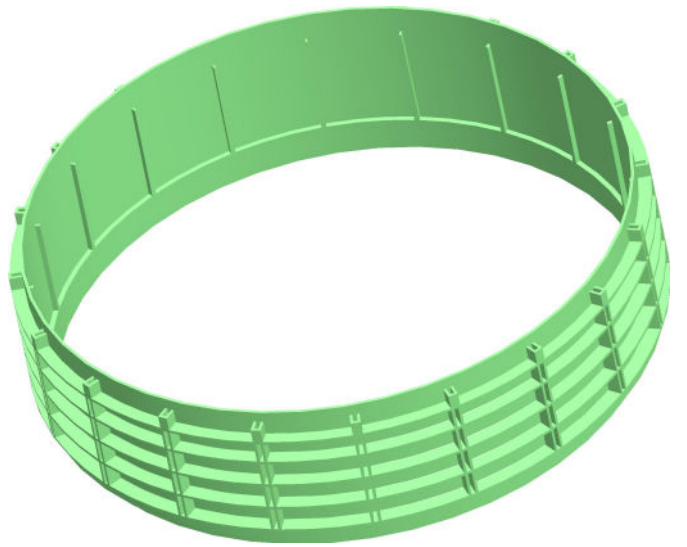
TELEPHONE: 847.550.1011
TOLL FREE: 800.382.7009
FAX: 847.550.8004

PART NAME:
24 X 12 RISER

PART #:
24 X 12 - RIS - GREEN



SECTION B-B



Material: Copolymer Polypropylene
Color: Green



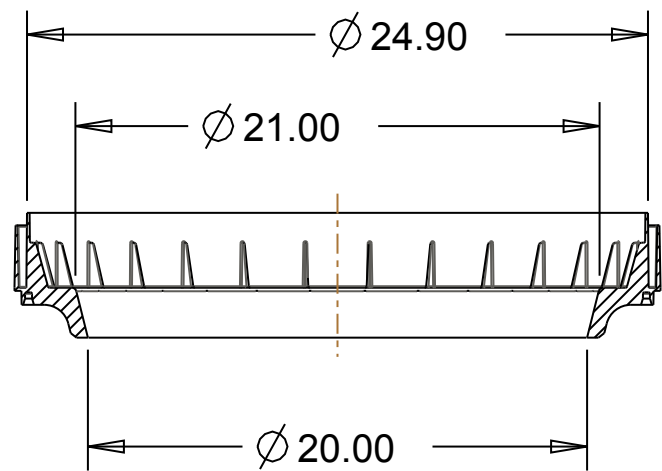
Drainage and Septic Products

Tuf-Tite, Inc.
1200 Flex Court
Lake Zurich, Illinois 60047

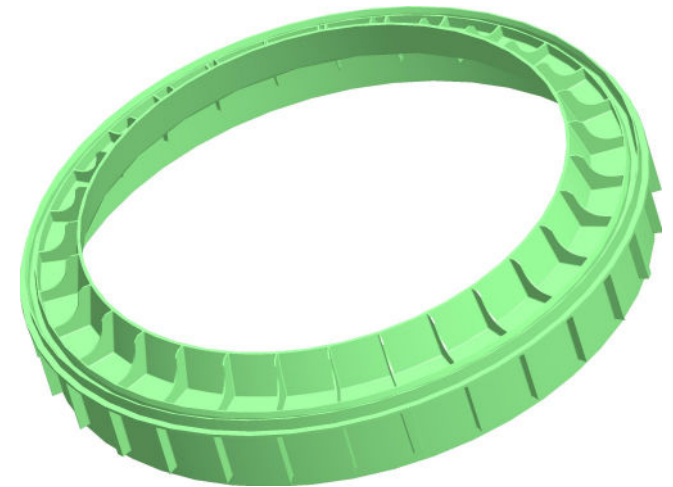
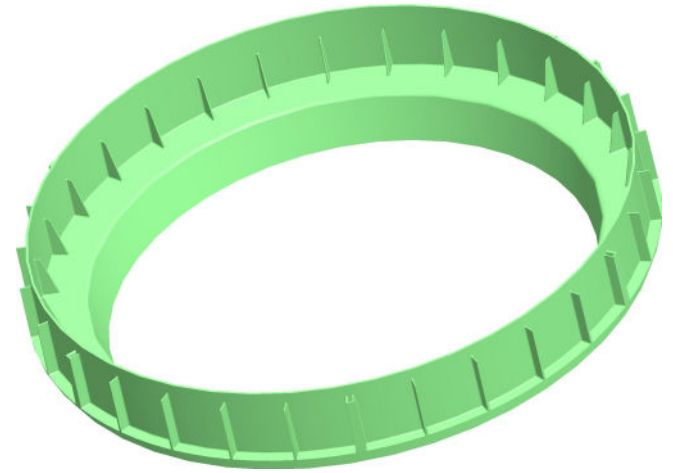
TELEPHONE: 847.550.1011
TOLL FREE: 800.382.7009
FAX: 847.550.8004

PART NAME: 24" RISER

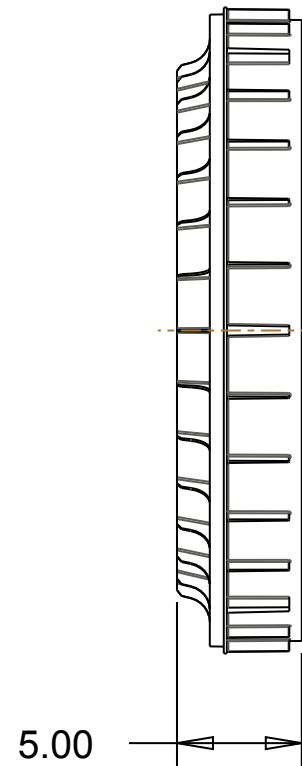
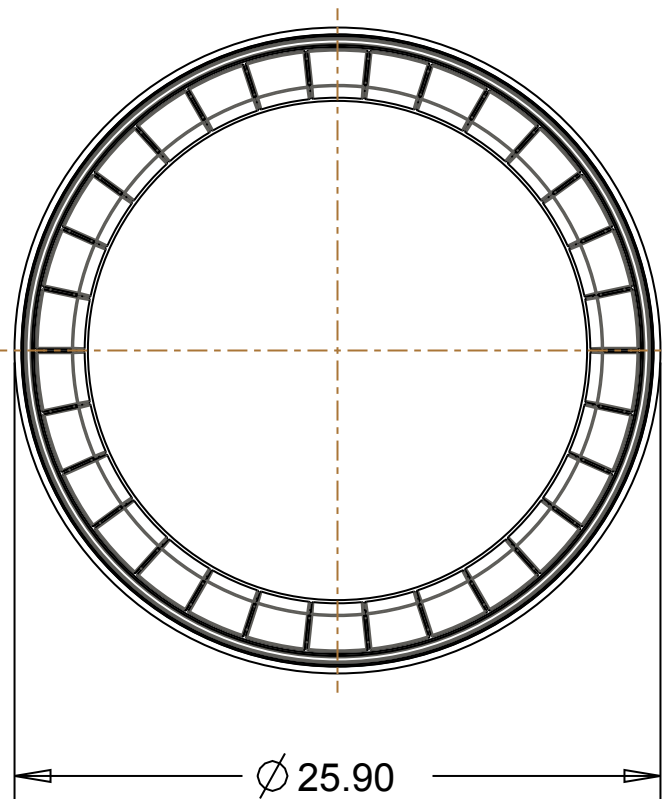
PART #: 24- RIS - GREEN



SECTION A-A



Material: Copolymer Polypropylene
Color: Green



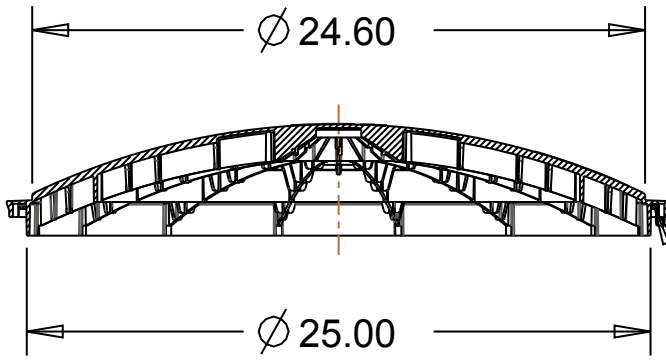
Drainage and Septic Products

Tuf-Tite, Inc.
1200 Flex Court
Lake Zurich, Illinois 60047

TELEPHONE: 847.550.1011
TOLL FREE: 800.382.7009
FAX: 847.550.8004

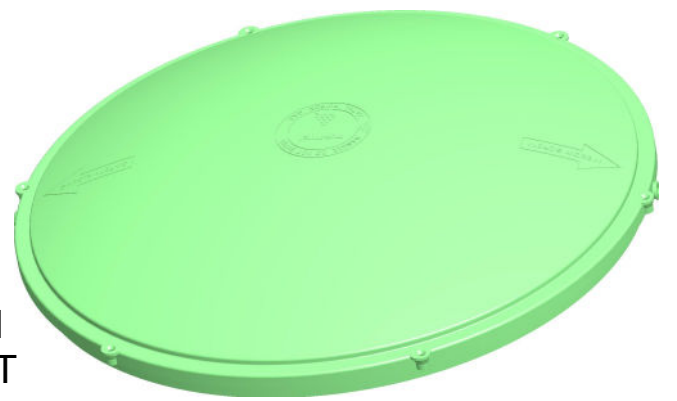
PART NAME: 24" RISER PAN

PART #: 24 - RISP - GREEN

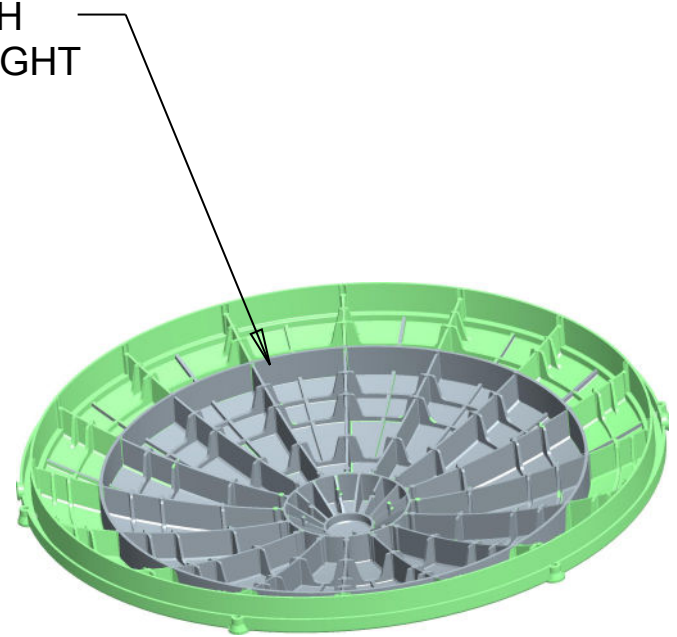
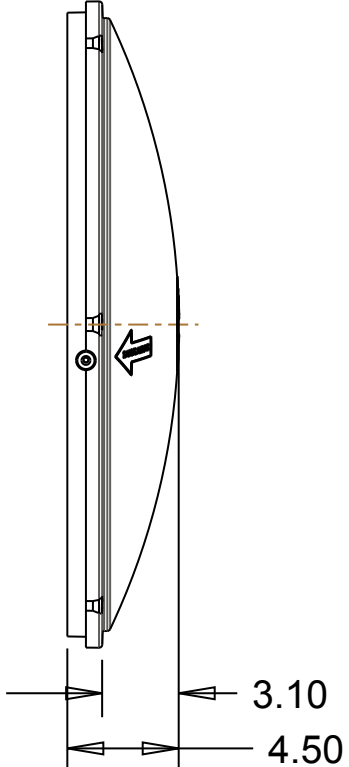
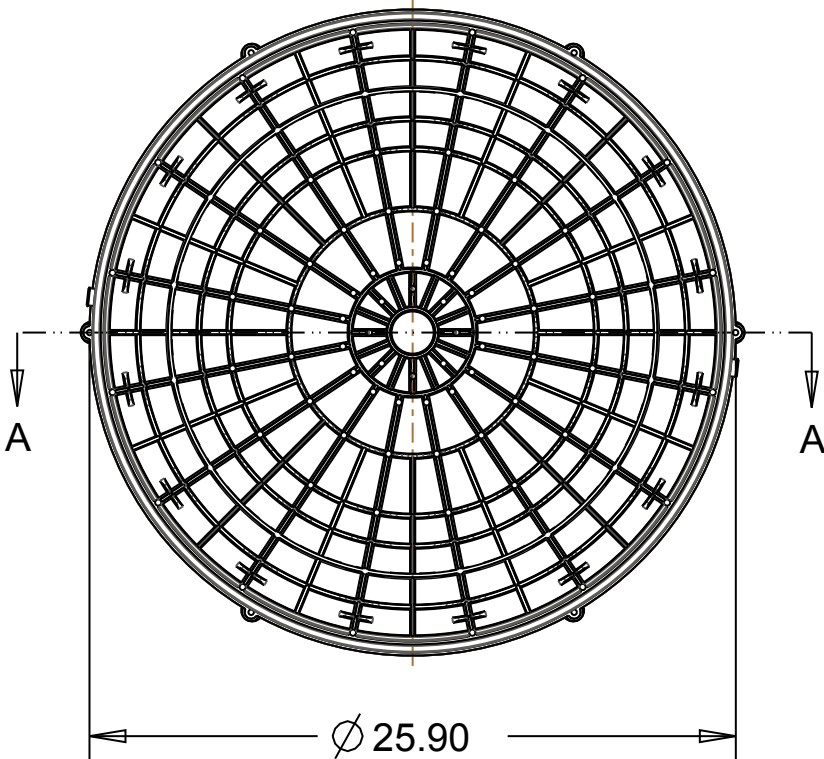


SECTION A-A

PERMANENT FOAMED-IN POLYURETHANE GASKET



THIS AREA MAY BE FILLED WITH CONCRETE FOR ADDITIONAL WEIGHT



Material: Copolymer Polypropylene
Color: Green



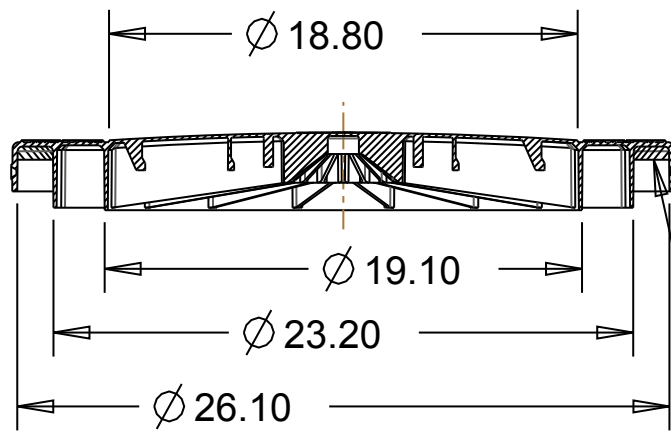
Drainage and Septic Products

Tuf-Tite, Inc.
1200 Flex Court
Lake Zurich, Illinois 60047

TELEPHONE: 847.550.1011
TOLL FREE: 800.382.7009
FAX: 847.550.8004

PART NAME: 24" RISER LID

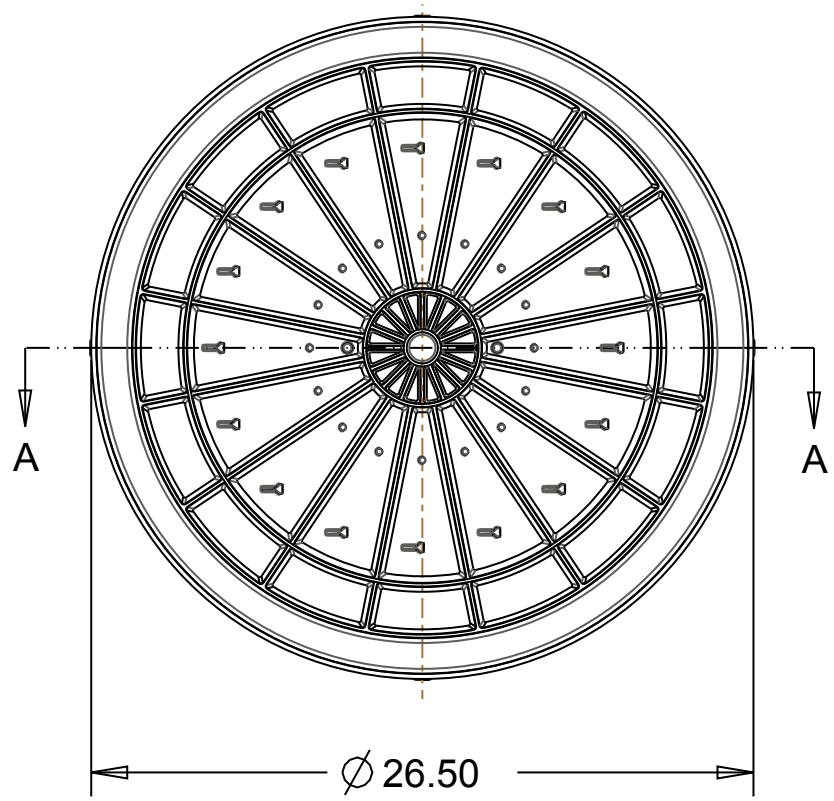
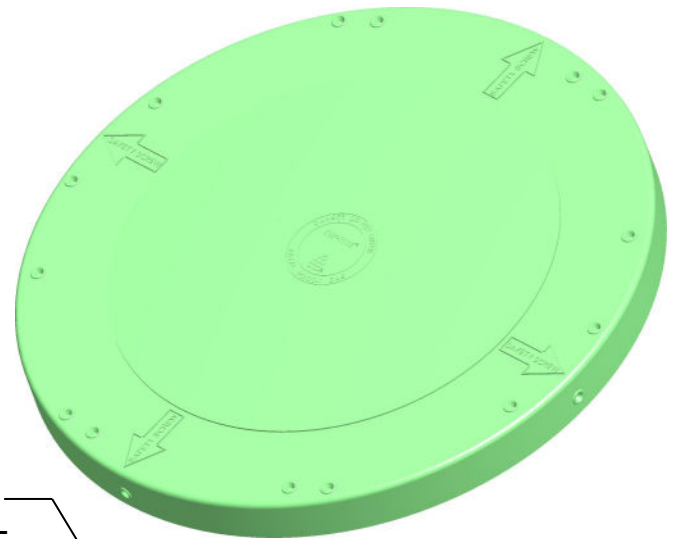
PART #: 24 - RISL - GREEN



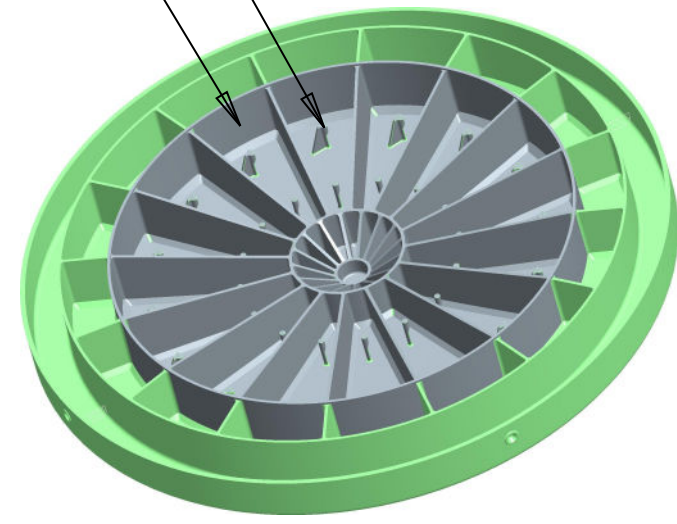
SECTION A-A

PERMANENT FOAMED-IN POLYURETHANE GASKET

THIS AREA MAY BE FILLED WITH CONCRETE FOR ADDITIONAL WEIGHT



CONCRETE KEEPERTM
RETAINING HOOKS



Material: Copolymer Polypropylene
Color: Green



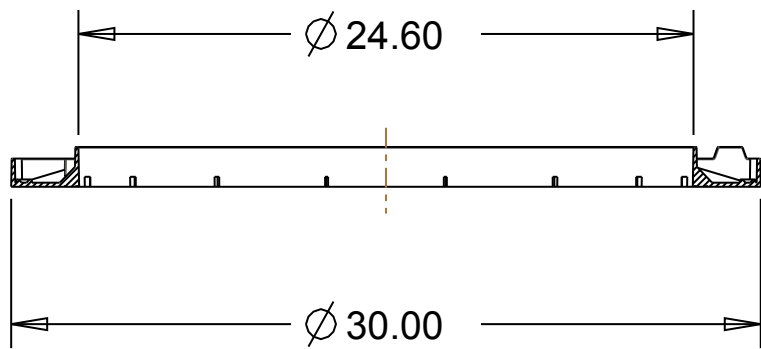
Drainage and Septic Products

Tuf-Tite, Inc.
1200 Flex Court
Lake Zurich, Illinois 60047

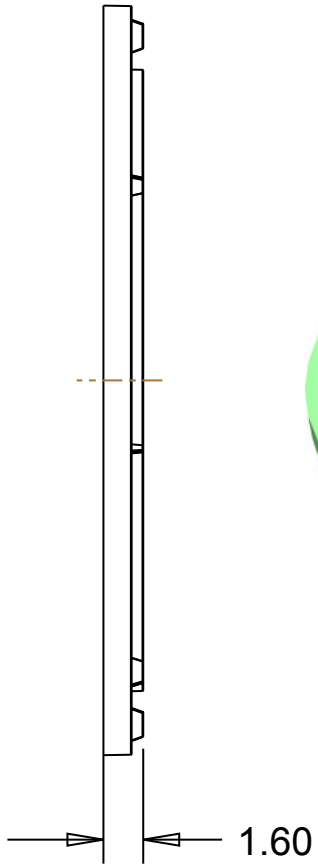
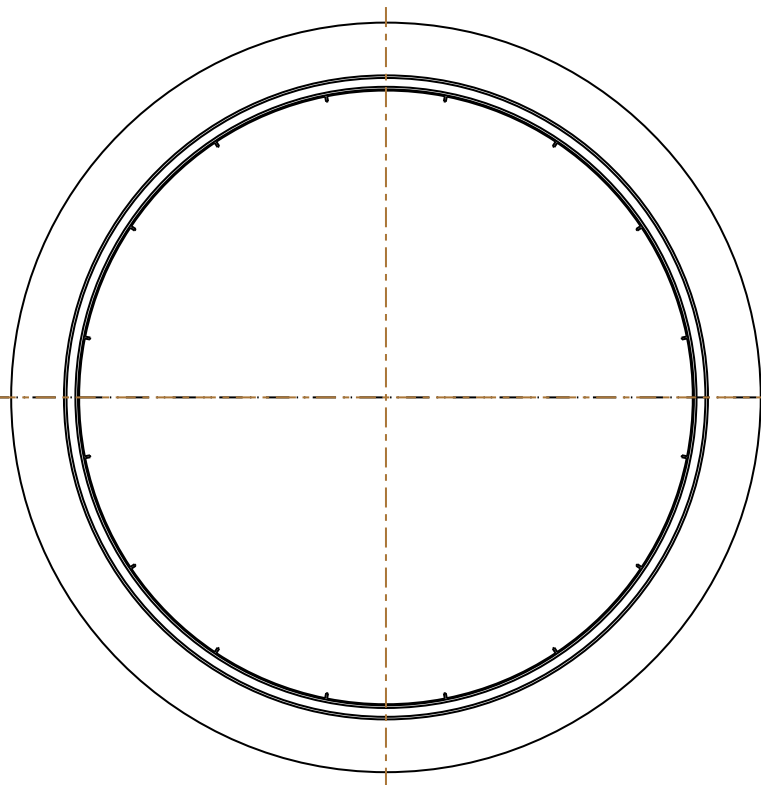
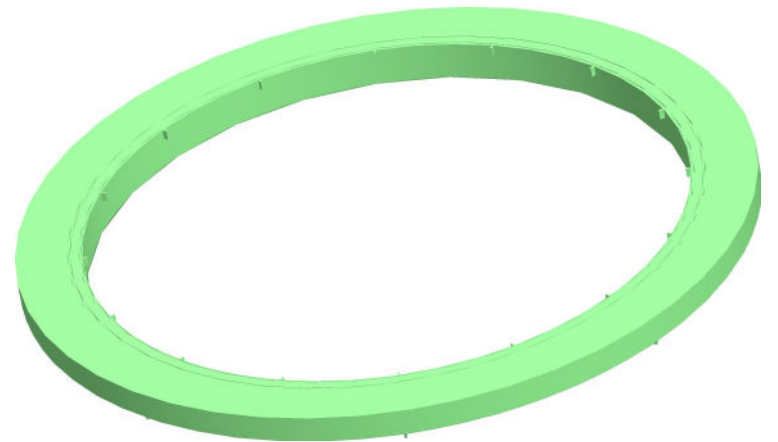
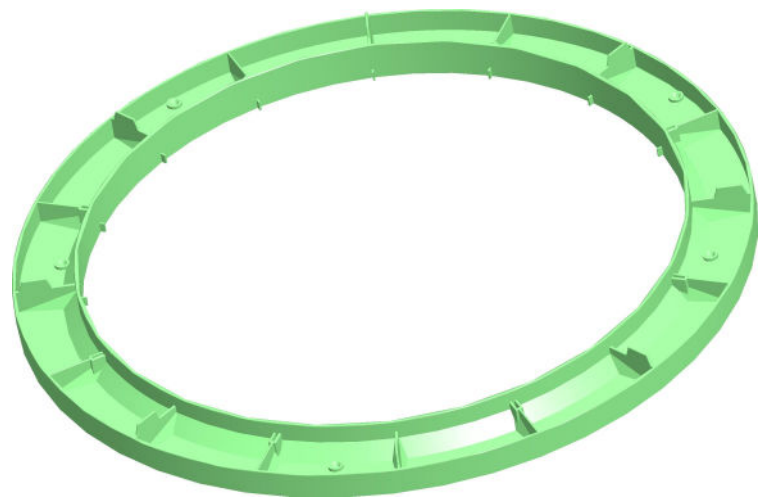
TELEPHONE: 847.550.1011
TOLL FREE: 800.382.7009
FAX: 847.550.8004

PART NAME:
24" FLAT LID

PART #:
24 - FLAT



SECTION A-A



Material: Copolymer Polypropylene
Color: Green

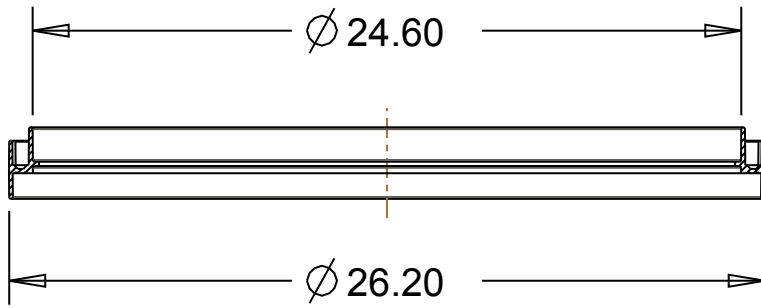


Drainage and Septic Products

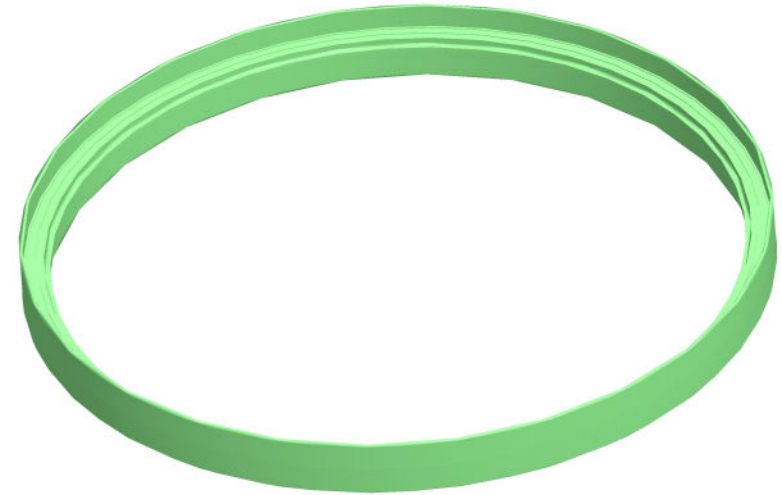
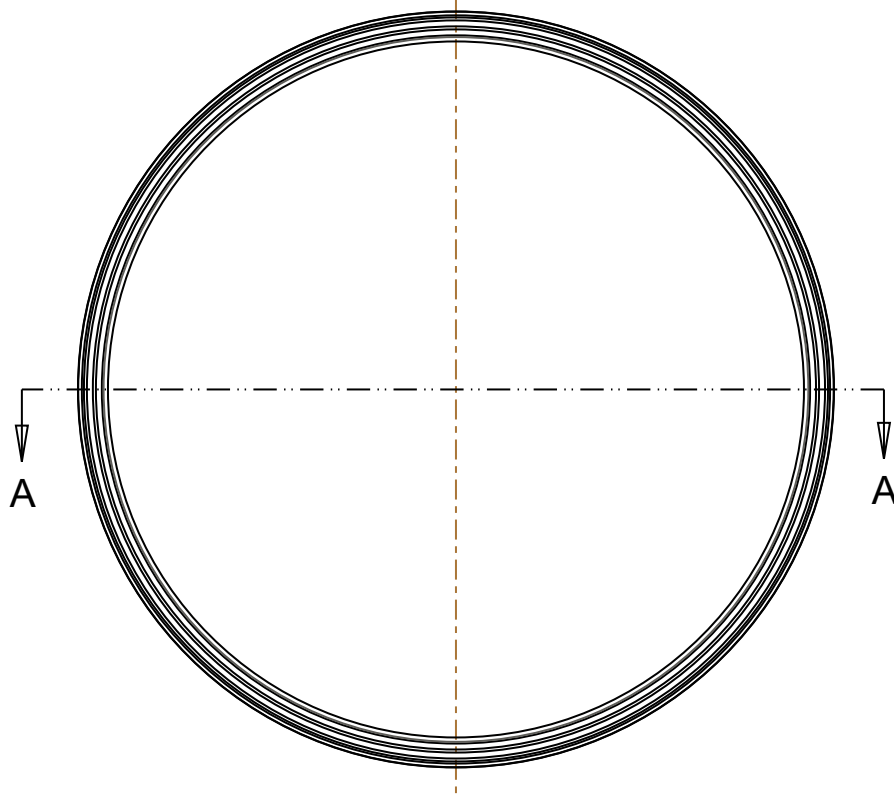
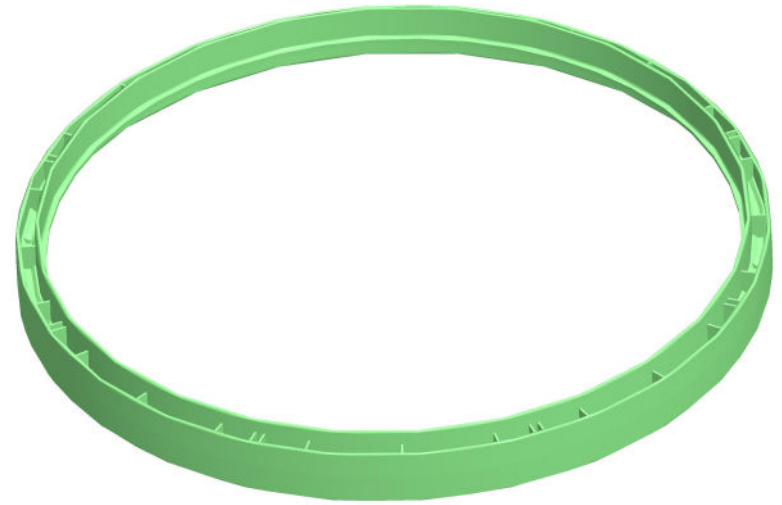
Tuf-Tite, Inc.
1200 Flex Court
Lake Zurich, Illinois 60047

TELEPHONE: 847.550.1011
TOLL FREE: 800.382.7009
FAX: 847.550.8004

PART NAME:	24" TAR
PART #:	24 - TAR - GREEN



SECTION A-A



Material: Copolymer Polypropylene
Color: Green



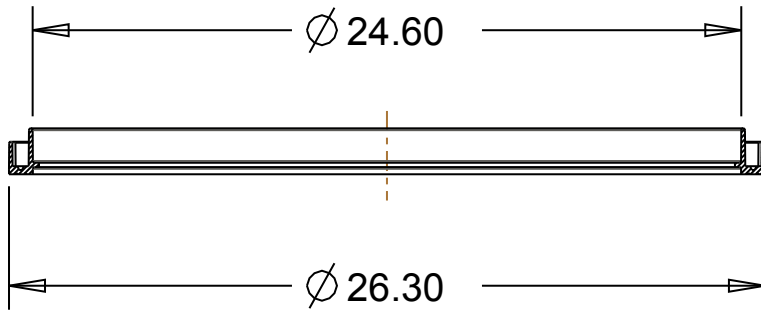
Drainage and Septic Products

Tuf-Tite, Inc.
1200 Flex Court
Lake Zurich, Illinois 60047

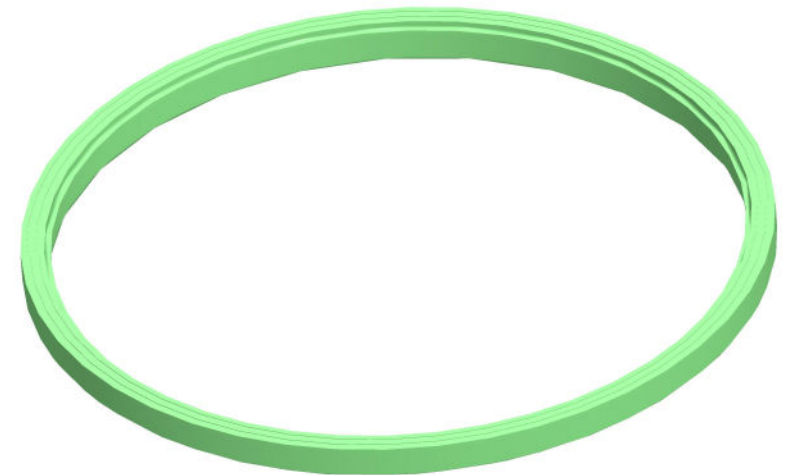
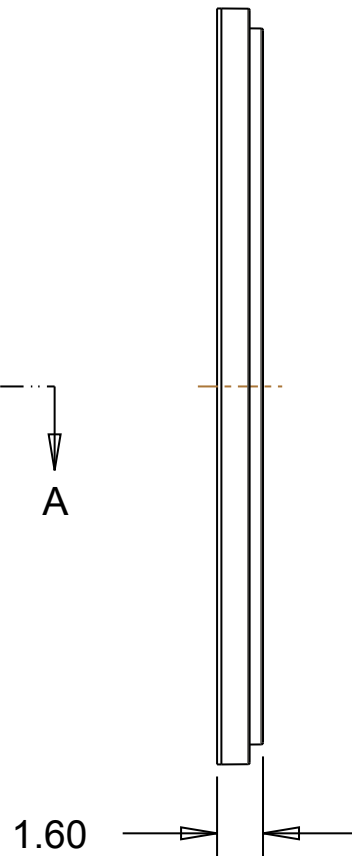
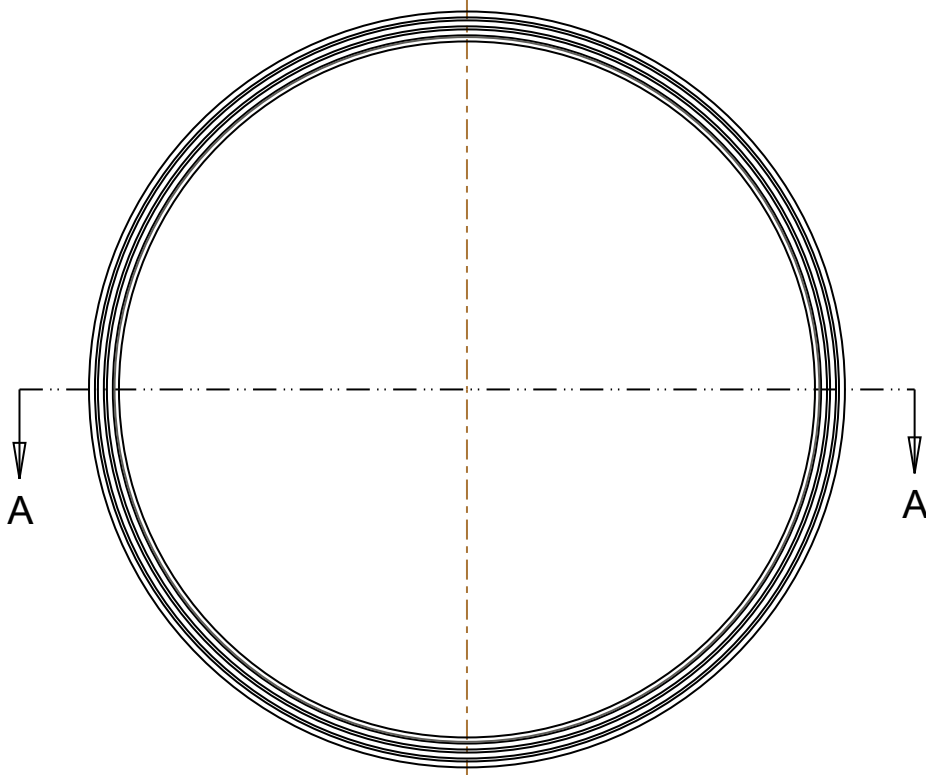
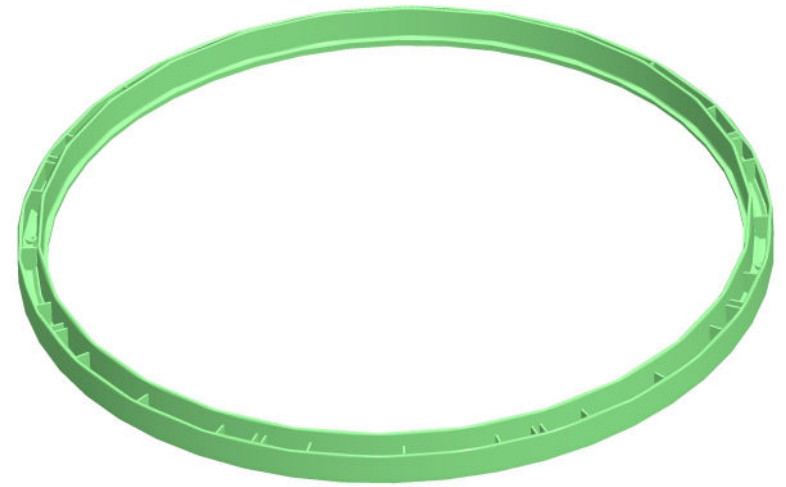
TELEPHONE: 847.550.1011
TOLL FREE: 800.382.7009
FAX: 847.550.8004

PART NAME:
24" RTR

PART #:
24 - RTR - GREEN



SECTION A-A



Material: Copolymer Polypropylene
Color: Green



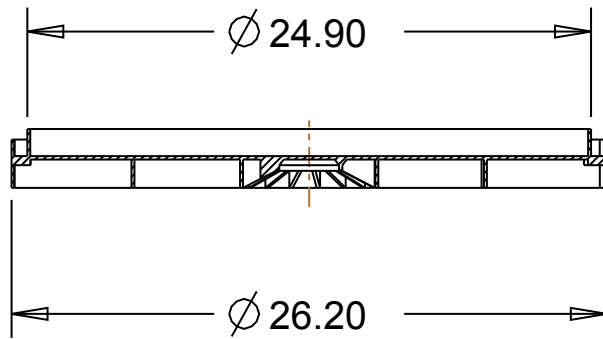
Drainage and Septic Products

Tuf-Tite, Inc.
1200 Flex Court
Lake Zurich, Illinois 60047

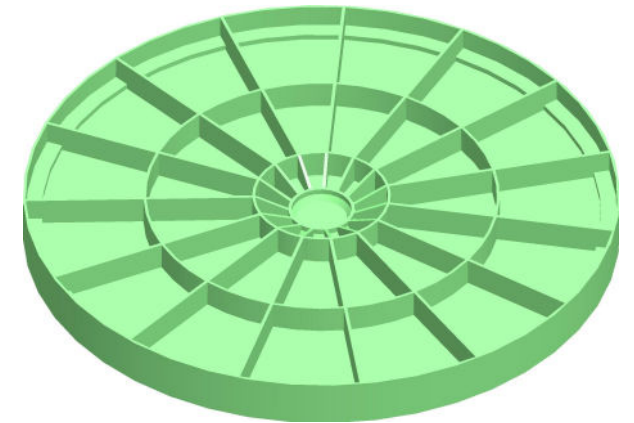
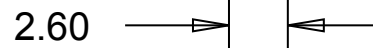
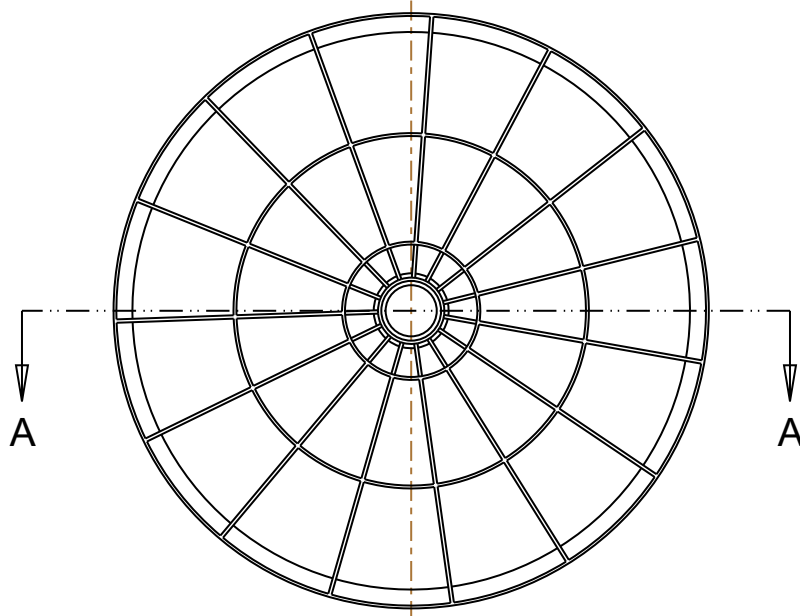
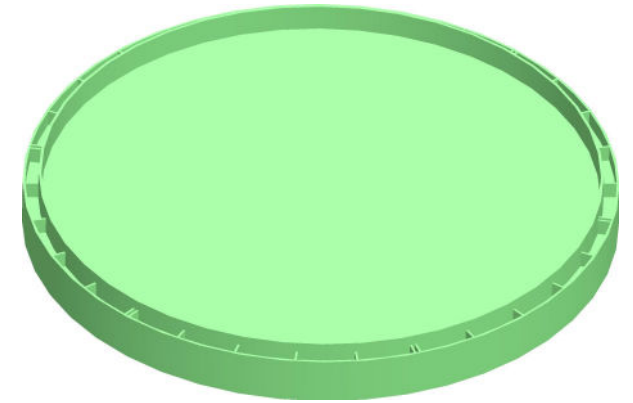
TELEPHONE: 847.550.1011
TOLL FREE: 800.382.7009
FAX: 847.550.8004

PART NAME:
24" RTT

PART #:
24 - RTT - GREEN



SECTION A-A



Material: Copolymer Polypropylene
Color: Green



Drainage and Septic Products

Tuf-Tite, Inc.
1200 Flex Court
Lake Zurich, Illinois 60047

TELEPHONE: 847.550.1011
TOLL FREE: 800.382.7009
FAX: 847.550.8004

PART NAME:
24" RISER BASE

PART #:
24 - RISB - GREEN