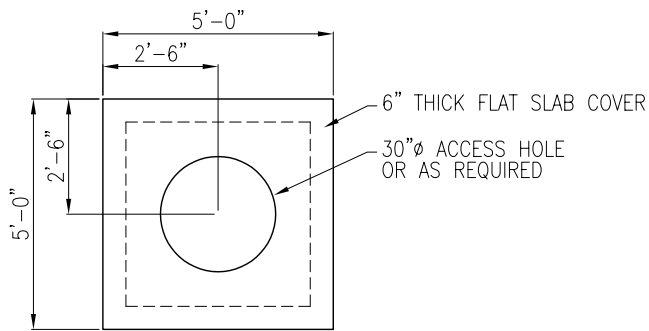


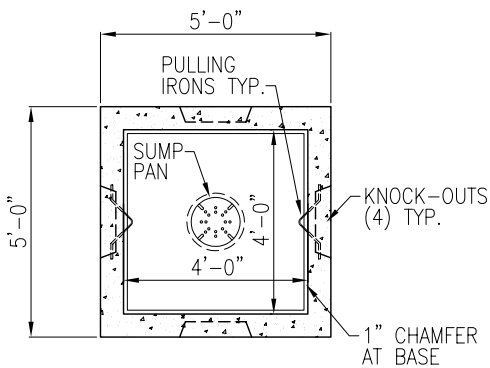
JEFFERSON CONCRETE CORP.

22850 MURROCK CIRCLE
WATERTOWN, NY 13601
TEL (315)788-4171 FAX (315)788-7958
www.jeffersonconcrete.com

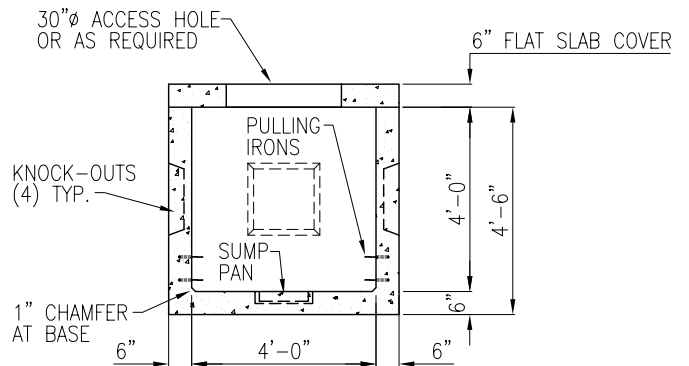
4'x4'x4' I.D.
PULL BOX



Cover



Plan



Section

GENERAL NOTES:

1. CONCRETE TO BE MIN. 5000 PSI MIN. @ 28 DAYS
2. STEEL REINFORCEMENT - ASTM A-615, A-497, GRADE 60
3. CONSTRUCTION JOINT - SEALED WITH BUTYL SEALANT
3/4" CONSEAL 102
4. SUMP PAN: M.A. INDUSTRIES 004-530K-S SUMP PAN AND LID
5. PULLING IRONS: M.A. INDUSTRIES 004-570 AS REQUIRED

06/28/2010 WJL