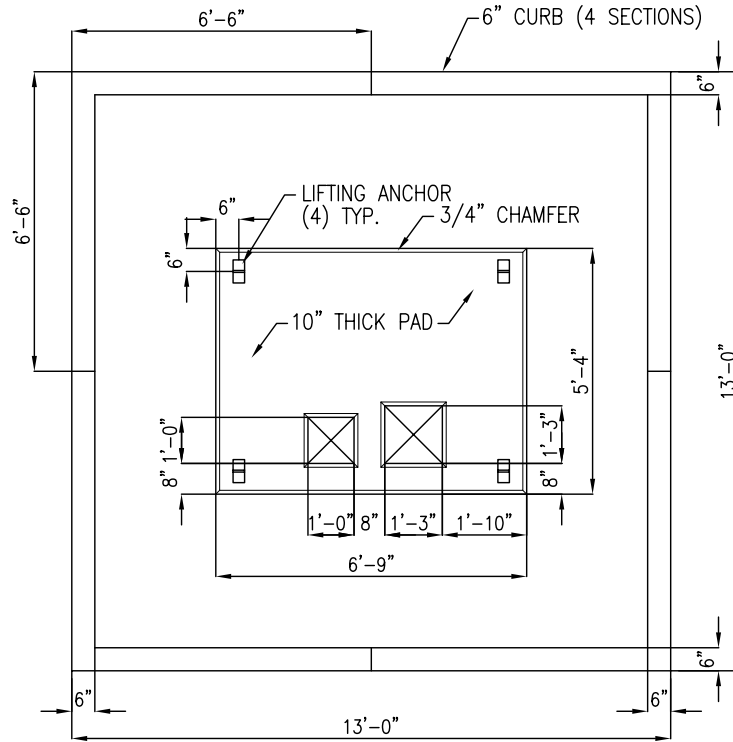


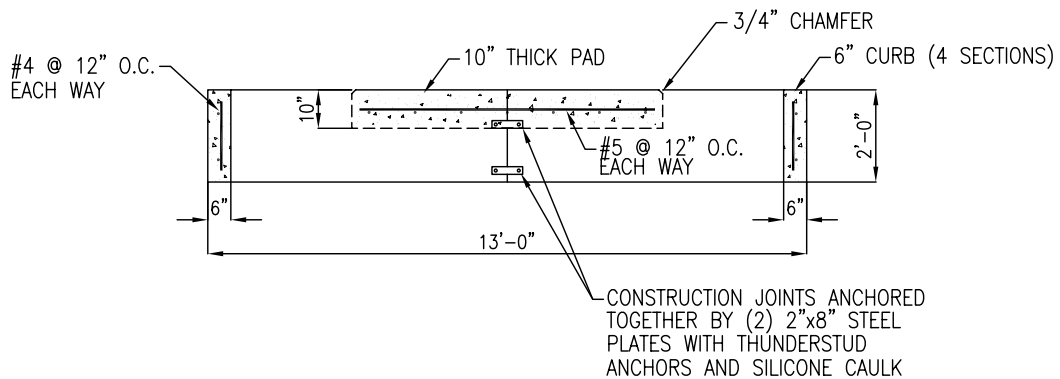
# JEFFERSON CONCRETE CORP.

22850 MURROCK CIRCLE  
WATERTOWN, NY 13601  
TEL (315)788-4171 FAX (315)788-7958  
www.jeffersonconcrete.com

## NATIONAL GRID UF8A PAD AND CURB



**PLAN**



**SECTION**

### GENERAL NOTES:

CONCRETE TO BE MIN. 5000 PSI @ 28 DAYS  
AIR ENTRAINED 5%-8%  
STEEL REINFORCEMENT: ASTM A-615, A-497, GRADE 60

UPDATED 04/26/10