

JEFFERSON CONCRETE CORP.

22850 MURROCK CIRCLE
 WATERTOWN, NY 13601
 TEL (315)788-4171 FAX (315)788-7958
 www.jeffersonconcrete.com

STRUCTURE# _____

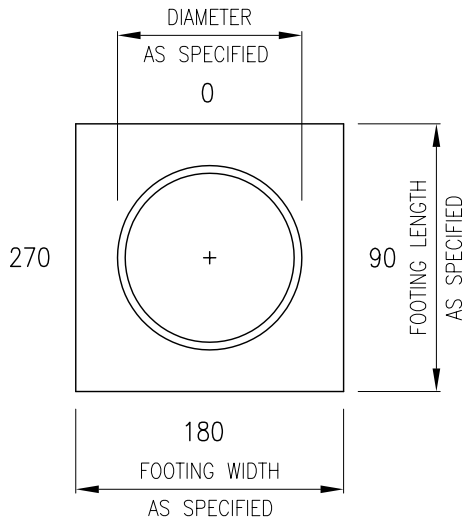
PROJECT _____

CONTRACTOR _____

DIMENSIONS _____

ROUND LIGHT POLE BASE WORKSHEET

Date Released For Production: _____
 Released By: _____
 Built By: _____
 Date Produced: _____
 Checked By: _____



FOOTING SIZE (W x L): _____
 FOOTING HEIGHT (THICKNESS): _____
 PEDISTAL SIZE (DIAMETER): _____
 PEDISTAL HEIGHT: _____
 OVERALL HEIGHT OF BASE: _____
 HEIGHT OF BASE ABOVE GRADE: _____
 DEPTH OF CONDUIT FROM TOP OF BASE: _____
 SIZE OF POWER CONDUITS: _____
 SIZE OF GROUND CONDUIT: _____
 ANCHOR BOLT SIZE: _____
 ANCHOR BOLT QUANTITY: _____
 ANCHOR BOLT PROJECTION: _____

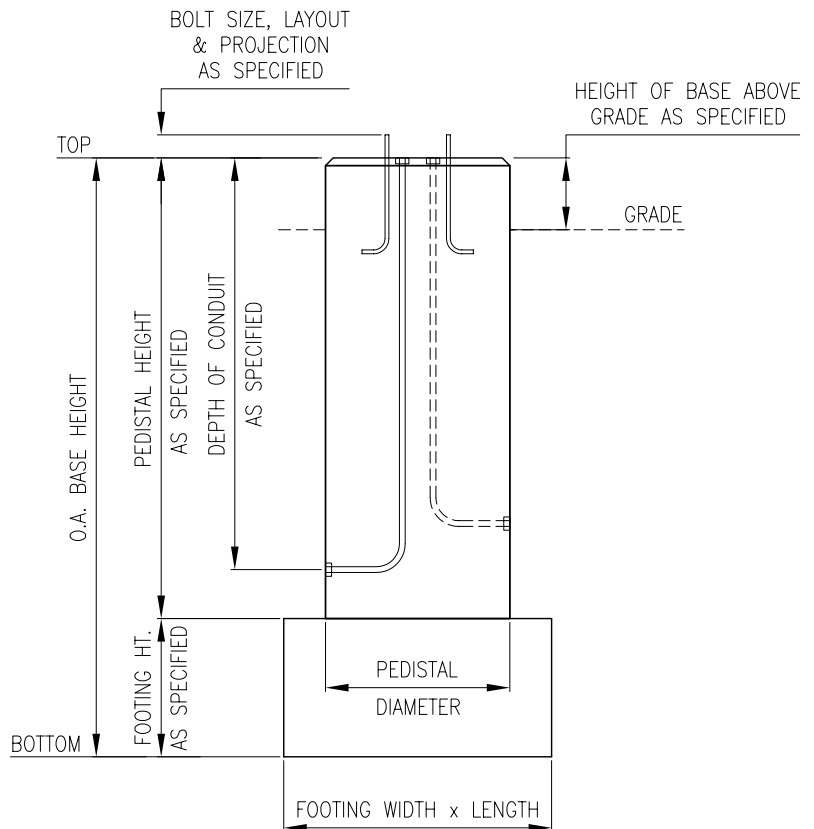
FOOTING REINF. EA. WAY (TOP): _____
 FOOTING REINF. EA. WAY (BOTTOM): _____
 PEDISTAL REINF. (VERTICAL): _____
 PEDISTAL REINF. (TIES): _____

CONTRACTOR SHALL FURNISH THE FOLLOWING:

1. ANCHOR BOLTS
2. ANCHOR BOLT TEMPLATE
3. ALL CONDUITS, SWEEPS, AND COUPLINGS
4. _____

CONDUIT PLACEMENT:

- 1) _____
- 2) _____
- 3) _____
- 4) _____



CONTRACTOR/ENGINEER
 APPROVAL BY: _____
 DATE: _____