

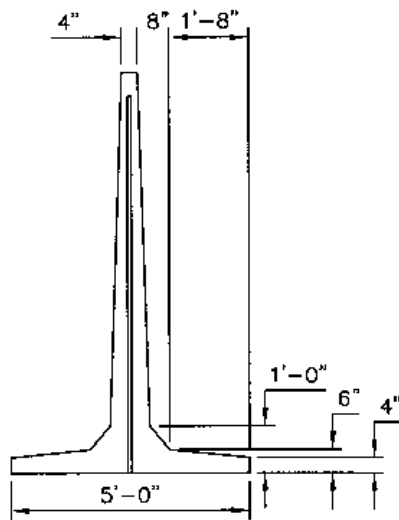
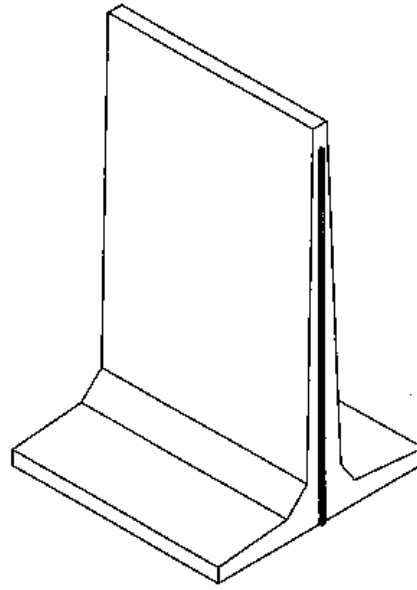
JEFFERSON CONCRETE CORP.

22850 MURROCK CIRCLE
WATERTOWN, NY 13601

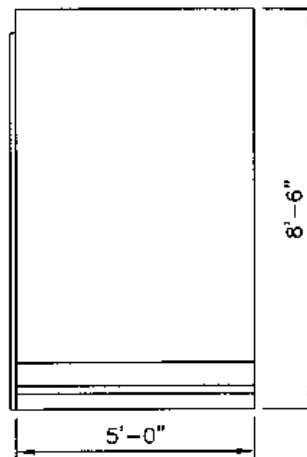
TEL(315)788-4171 FAX(315)788-7958

PRODUCT DESCRIPTION

BUNKER SILO CENTER WALL



SIDE ELEV.



FRONT ELEV.

CONCRETE TO BE MIN. 5000 PSI @ 28 DAYS.
AIR ENTRAINED 5% - 8%
REINFORCEMENT ASTM A615/A497