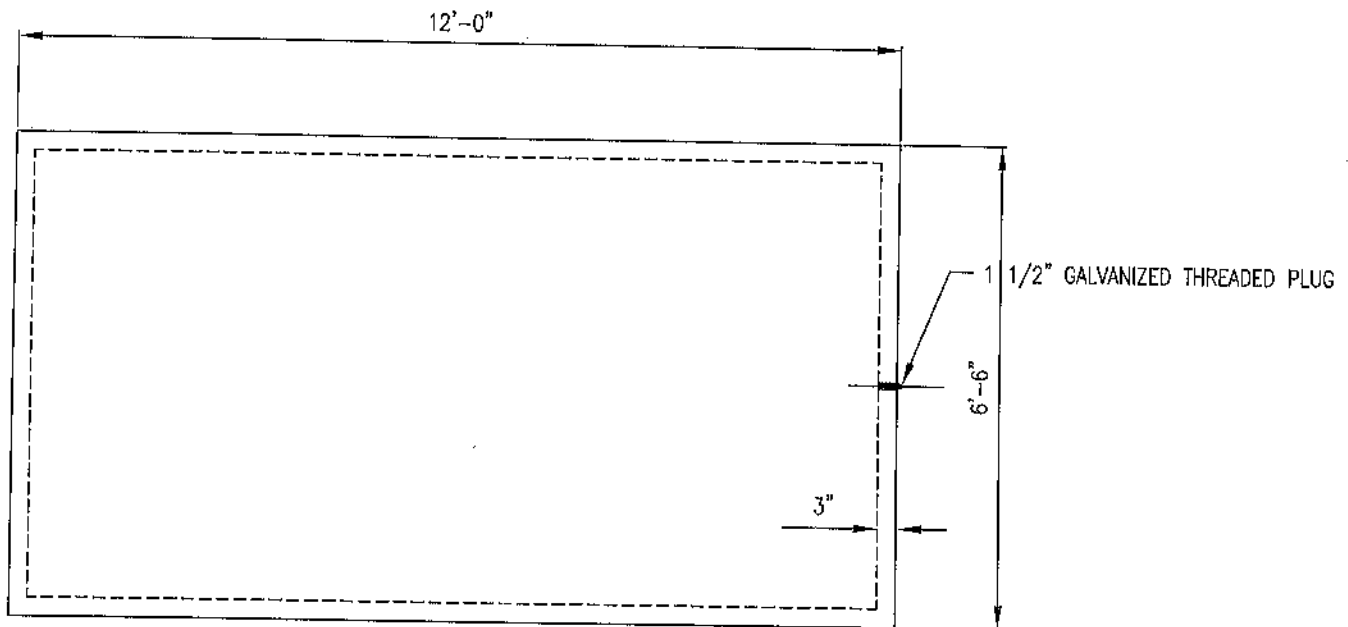


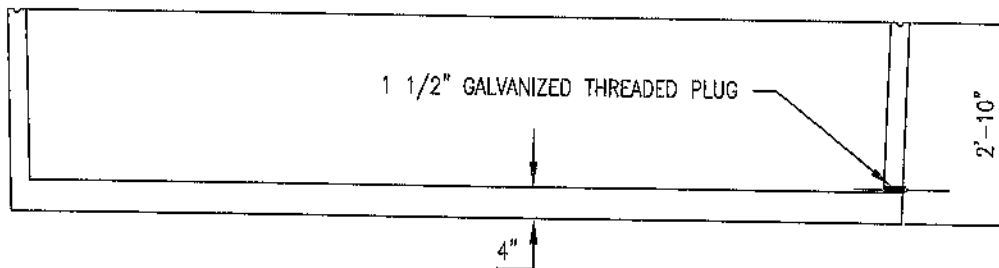
JEFFERSON CONCRETE CORP.

22850 MURROCK CIRCLE
WATERTOWN, NY 13601
TEL (315)788-4171 FAX (315)788-7958
www.jeffersonconcrete.com

1,000 Gallon
Containment Vessel



OPTIONAL:
COAT INTERIOR WITH CON SEAL CS-90 FUEL
RESISTANT EPOXY COATING, BLUE TINE IN COLOR.



GENERAL NOTES:

- CONCRETE TO BE MIN. 5000 PSI @28 DAYS
- ENTRAINED AIR 5%-8%
- STEEL REINFORCEMENT-- ASTM A-615 GRADE 60
- STEEL COVER MIN. 1"
- BUILT IN ACCORDANCE TO ASTM C-1227/ C-913 (300 PSF)

3-14-2011 SRW