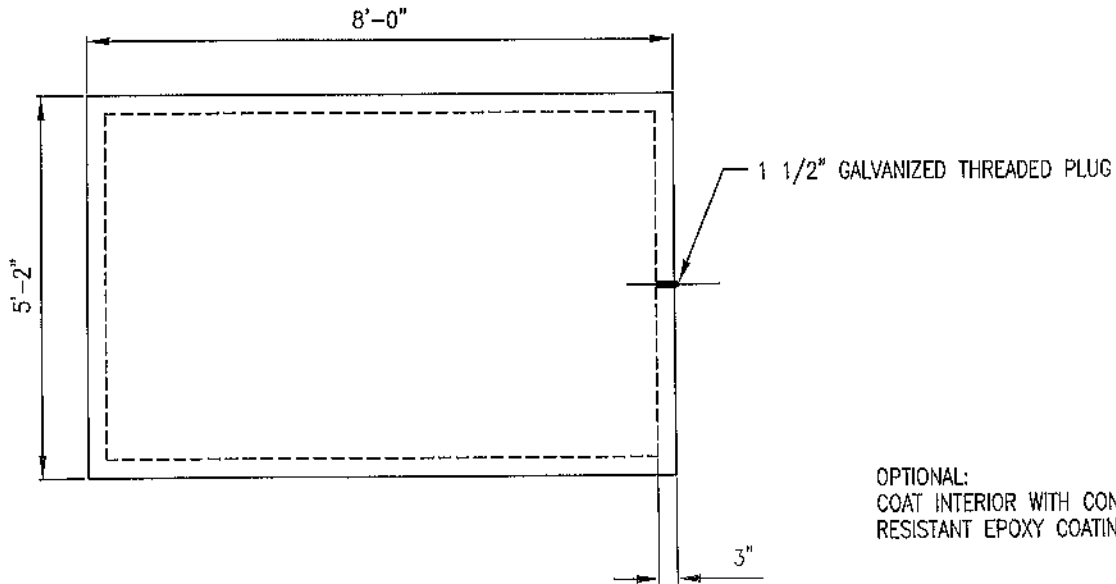


JEFFERSON CONCRETE CORP.

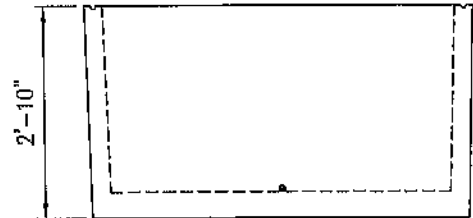
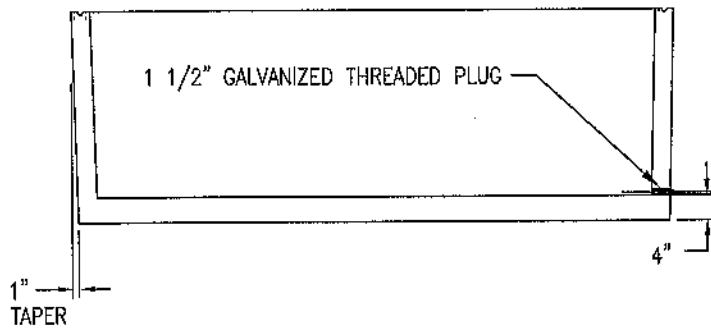
22850 MURROCK CIRCLE
WATERTOWN, NY 13601

TEL (315)788-4171 FAX (315)788-7958
www.jeffersonconcrete.com

500 Gallon
Containment Vessel



OPTIONAL:
COAT INTERIOR WITH CON SEAL CS-90 FUEL
RESISTANT EPOXY COATING, BLUE TINE IN COLOR.



GENERAL NOTES:

CONCRETE TO BE MIN. 5000 PSI @28 DAYS
ENTRAINED AIR 5%-8%
STEEL REINFORCEMENT-- ASTM A-615 GRADE 60
STEEL COVER MIN. 1"
BUILT IN ACCORDANCE TO ASTM C-1227/ C-913 (300 PSF)

3-14-2011 SRW