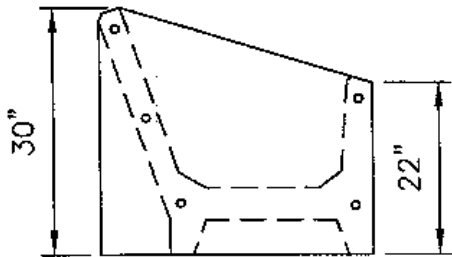
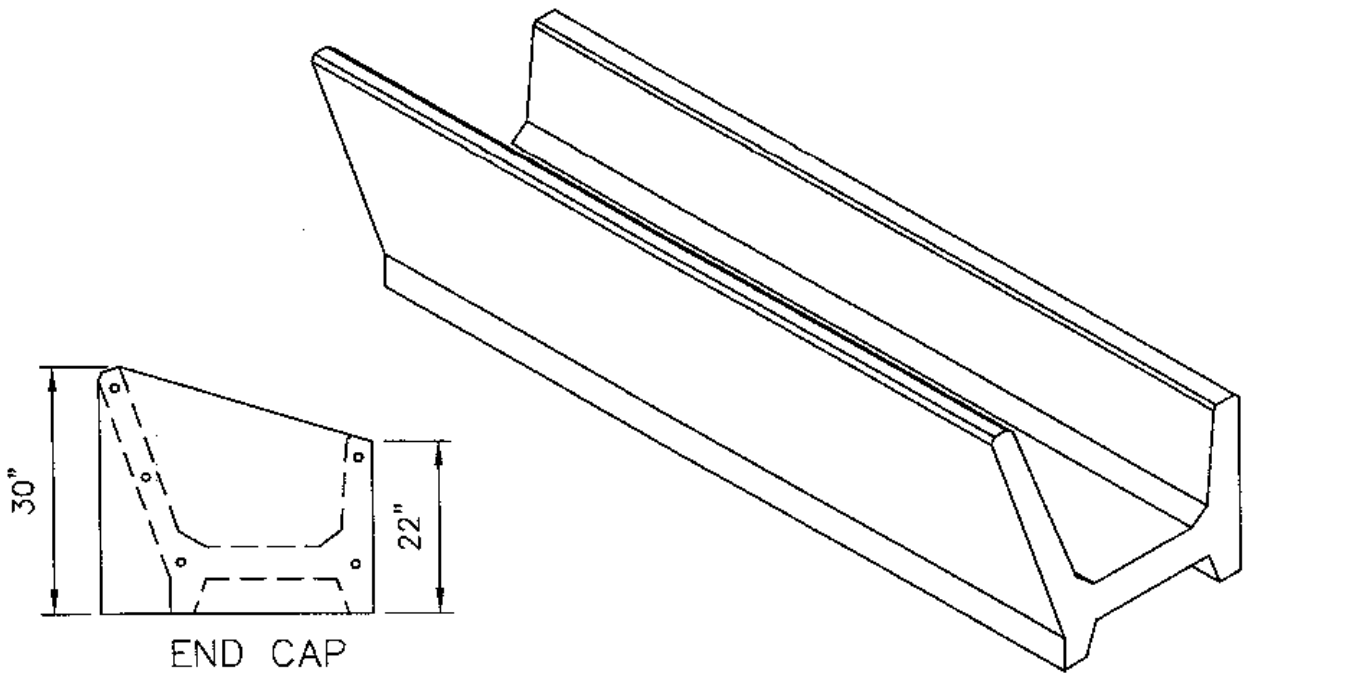


# JEFFERSON CONCRETE CORP.

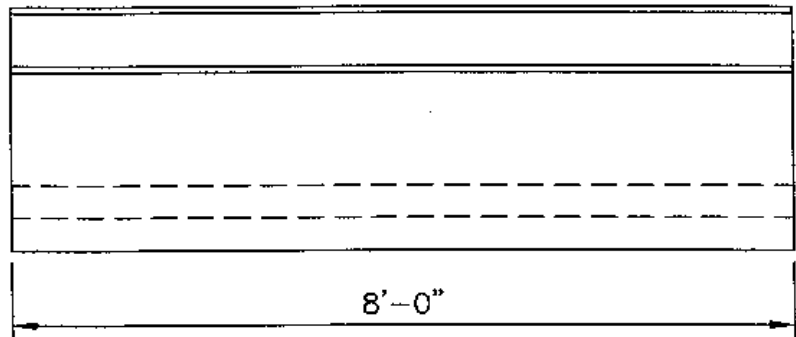
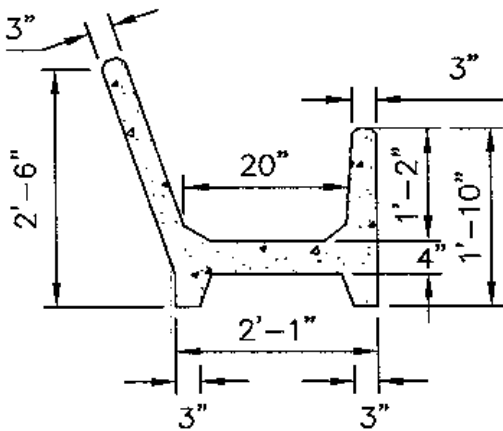
22850 MURROCK CIRCLE  
WATERTOWN, NY 13601  
TEL(315)788-4171 FAX(315)788-7958

## PRODUCT DESCRIPTION

FENCE LINE FEED BUNK



END CAP



CONCRETE TO BE MIN. 4000 PSI @ 28 DAYS.  
AIR ENTRAINED 5% - 8%  
REINFORCEMENT ASTM A615/A497