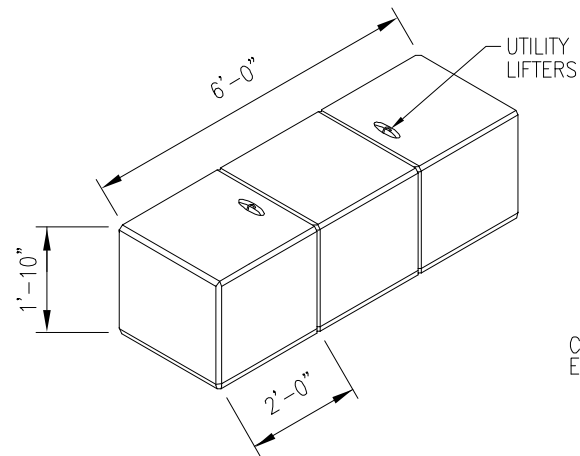
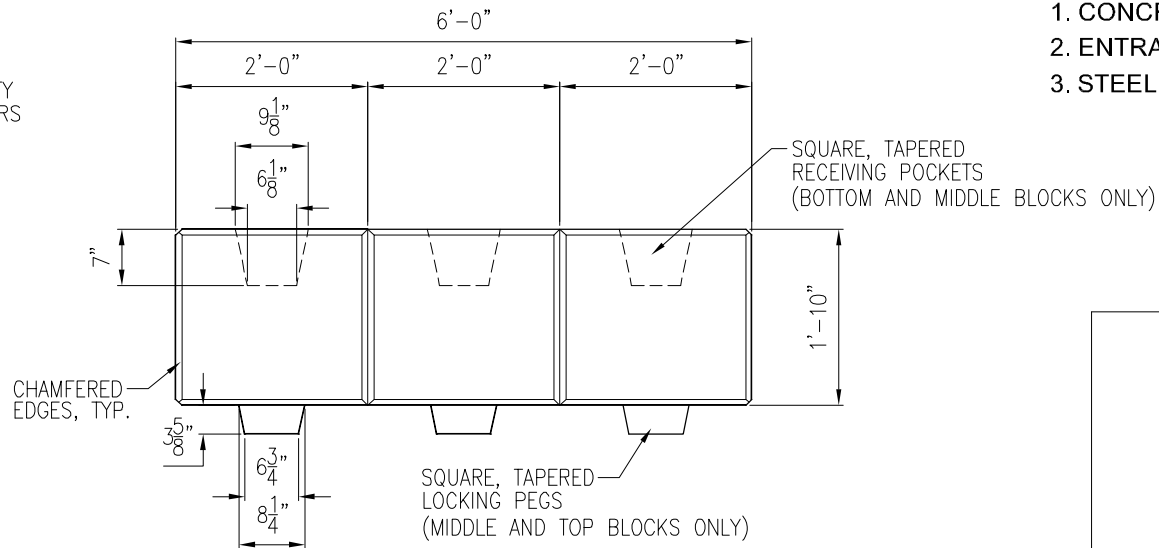


MIDDLE BLOCK
OR BOTTOM BLOCK

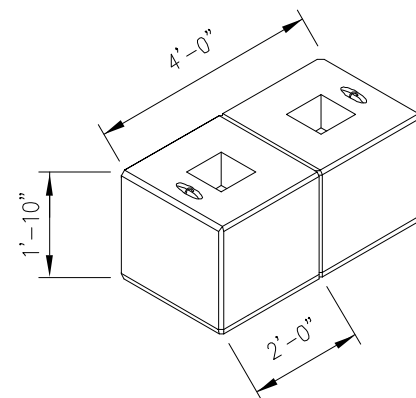
6'-0" SEAWALL BLOCK



TOP BLOCK
OR SINGLE COURSE BLOCK

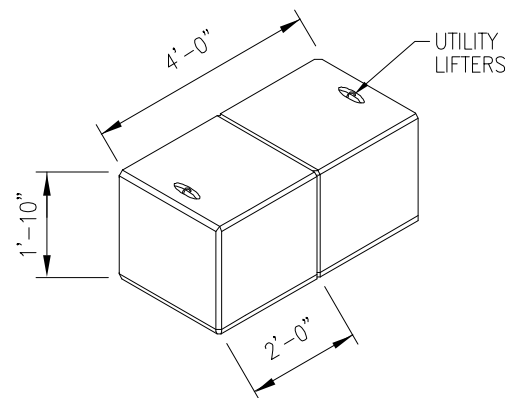


FRONT VIEW

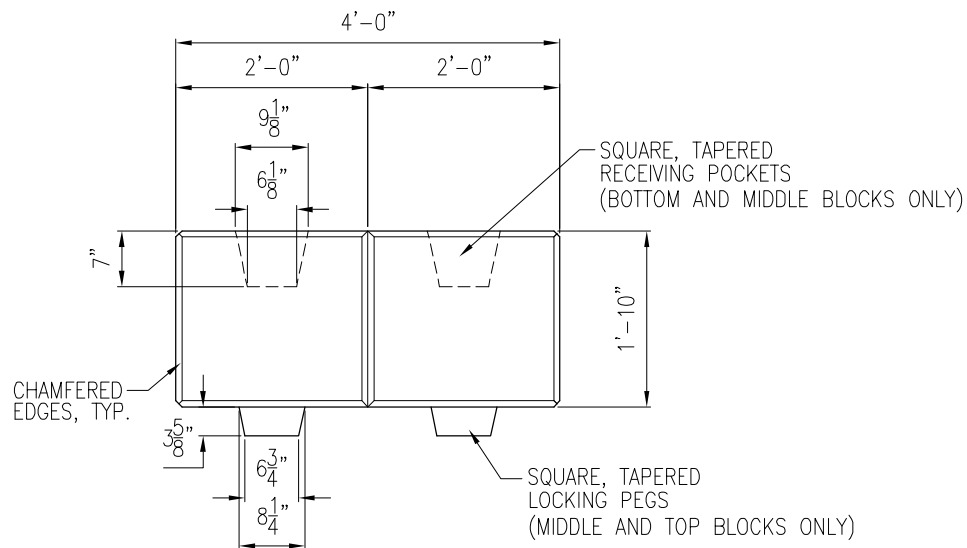


MIDDLE BLOCK
OR BOTTOM BLOCK

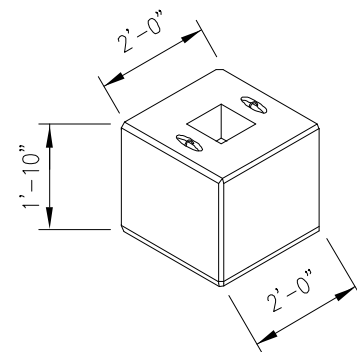
4'-0" SEAWALL BLOCK



TOP BLOCK
OR SINGLE COURSE BLOCK

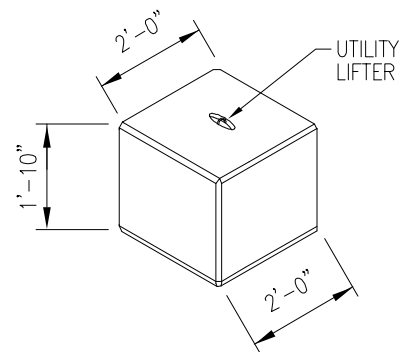


FRONT VIEW

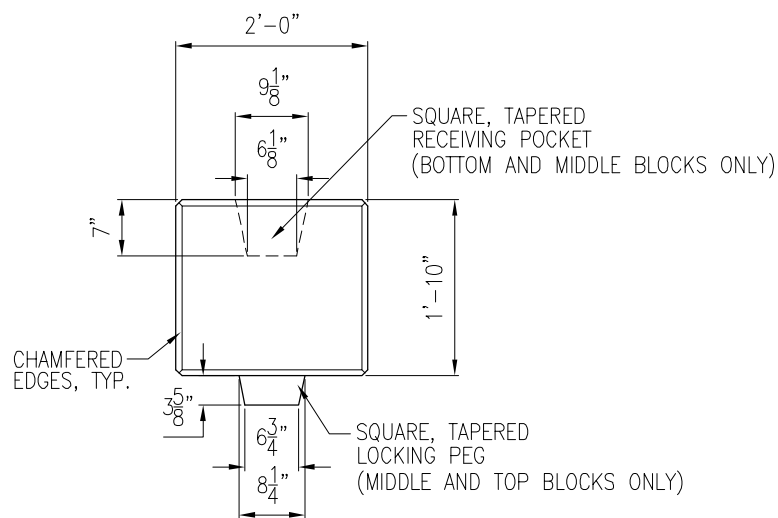


MIDDLE BLOCK
OR BOTTOM BLOCK

2'-0" SEAWALL BLOCK



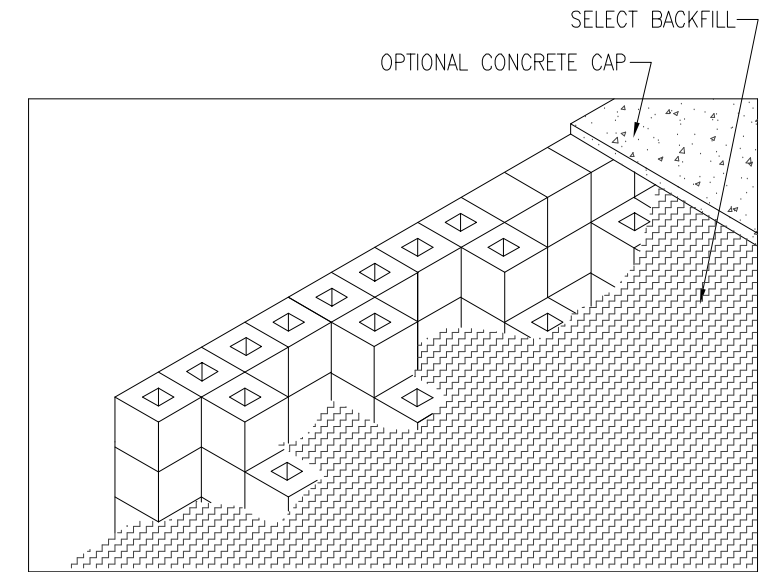
TOP BLOCK
OR SINGLE COURSE BLOCK



FRONT VIEW

GENERAL NOTES

1. CONCRETE TO BE MIN. 5,000 PSI @ 28 DAYS
2. ENTRAINED AIR 5%-8%
3. STEEL ASTM A497/A615 GRADE 60



THE STRENGTH AND FLEXIBILITY OF THE SEA WALL CAN BE SEEN IN THIS ILLUSTRATION. WITH THE OPTIONAL LOCKOFF, 1, 2 & 3 SECTION BLOCKS CAN BE PRODUCED TO TAKE FULL ADVANTAGE OF THE SEA WALLS INTERLOCKING FEATURE.

AVAILABLE BLOCK TYPES:

- BOTTOM BLOCK: TOP RECEIVING POCKET - YES / BOTTOM LOCKING PEG - NO
- MIDDLE BLOCK: TOP RECEIVING POCKET - YES / BOTTOM LOCKING PEG - YES
- TOP BLOCK: TOP RECEIVING POCKET - NO / BOTTOM LOCKING PEG - YES
- SINGLE COURSE BLOCK: TOP RECEIVING POCKET - NO / BOTTOM LOCKING PEG - NO

AVAILABLE BLOCK LENGTHS:

ALL BLOCK TYPES: 2'-0", 4'-0", & 6'-0" LENGTHS

REVISIONS		
NO.:	DATE:	DESCRIPTION
PRECAST CONCRETE, INTERLOCKING SEAWALL BLOCK SYSTEM		
JEFFERSON CONCRETE CORP. 22850 COUNTY ROUTE 51 WATERTOWN, NY 13601 TEL(315)788-4171 FAX(315)788-7958		
CONTRACT NO.	PAY ITEM NO.	DWG NO.
DATE: 06/25/21	DRAWN: W.J.L.	SD-1
CHECKED: B.S.	SCALE: AS SHOWN	SHEET: 1 OF 1